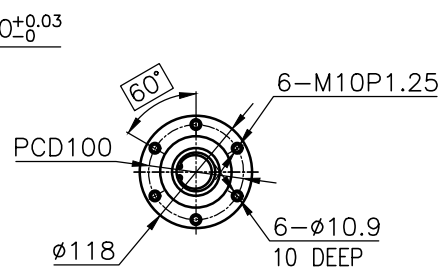
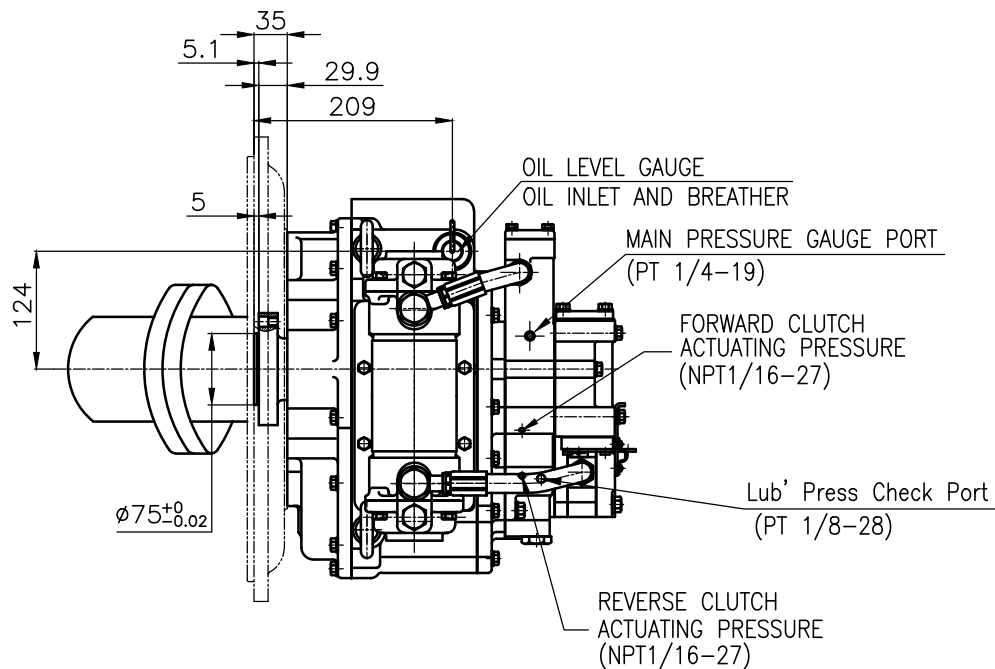


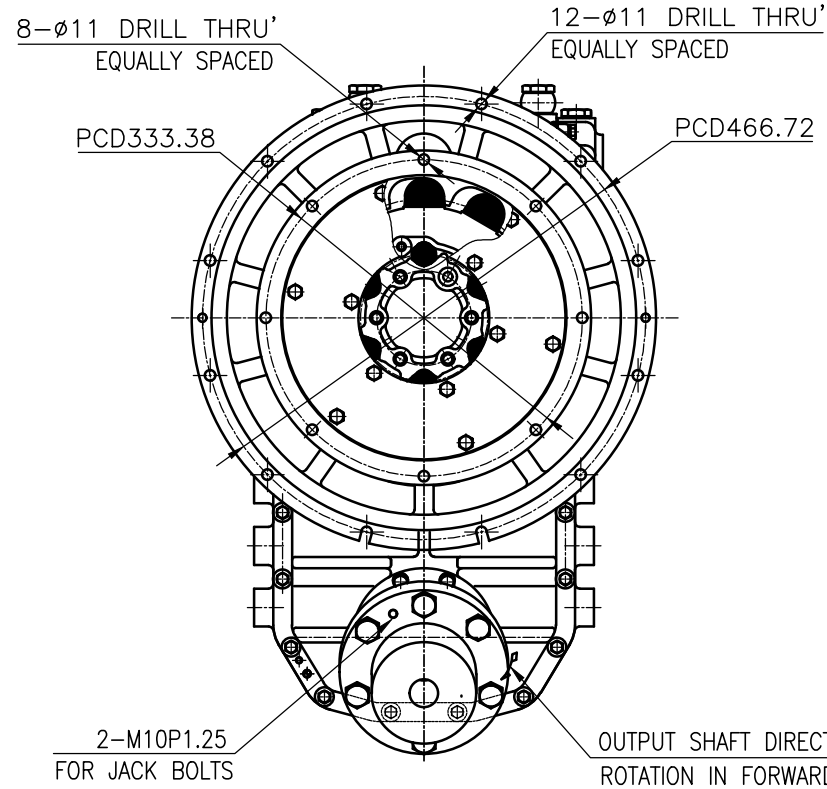
OUTPUT SHAFT COUPLING & PROPELLER COUPLING DIMENSION



INPUT COUPLING DIMENSION

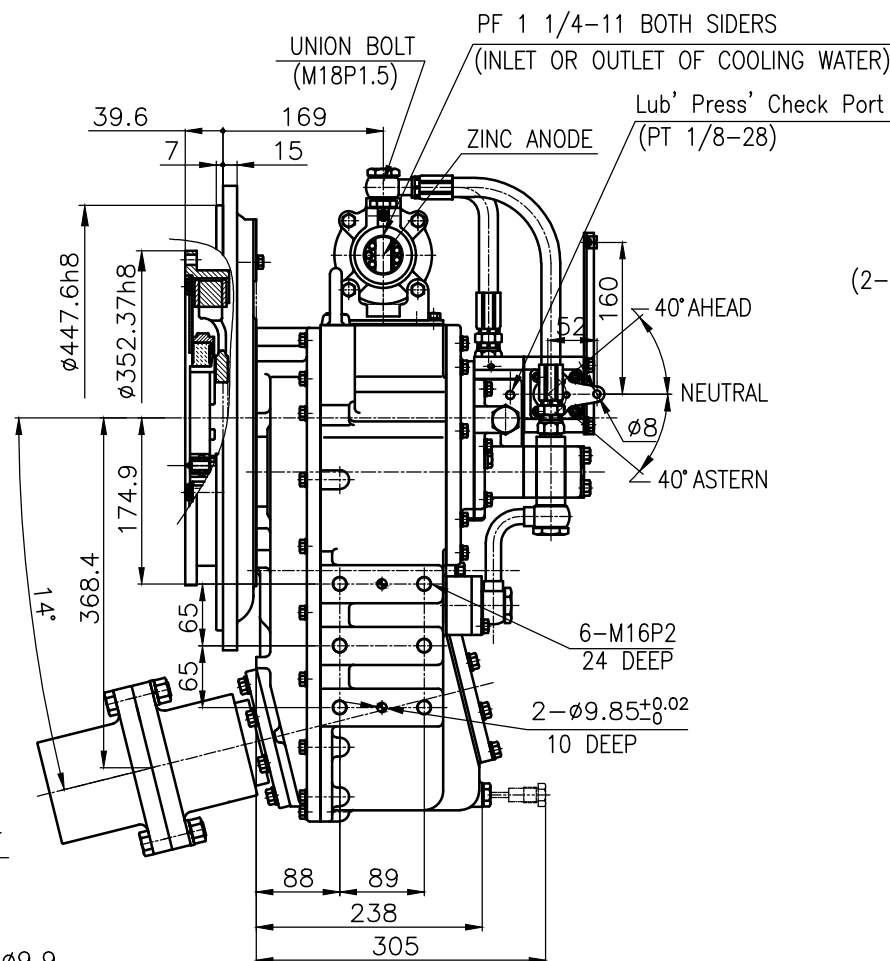


DMT100IV MARINE TRANSMISSION SPECIFICATION	
GEAR RATIO	1.21, 1.54, 1.84, 2.12, 2.52
TOTAL WEIGHT	APPROX 150 kg(DRY)
OIL CAPACITY	APPROX. 7 L
OIL VISCOSITY	SAE # 30
OIL PRESSURE	1.961 ~ 2.353MPa CLUTCH OIL
DIRECTION OF ROTATION	INPUT C.C.W VIEWED FROM THE STERN
IN FORWARD	OUTPUT C.C.W VIEWED FROM THE STERN
OIL CHANGE INTERVAL	THE FIRST 100HOURS OF INITIAL OPERATION AND EVERY 1000HOURS THEREAFTER
SHIFTING LIMIT	UNDER 50% OF THE RATED ENGINE SPEED
OIL COOLER	WATER FLOW 40 ~ 60 L/min TEMPERATURE OF COOLING WATER MAX 32 °C
OPERATING TORQUE OF SHIFTING LEVER	UNDER 3 Nm

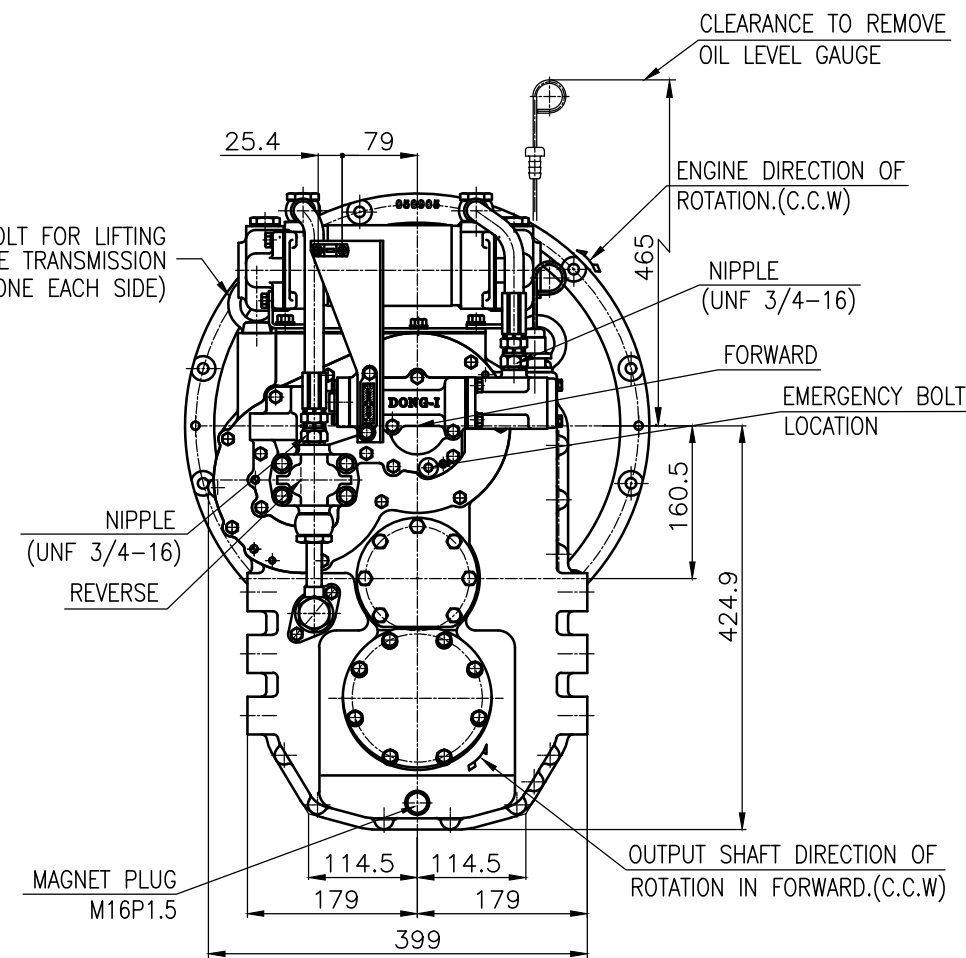


2-M10P1.25 FOR JACK BOLTS

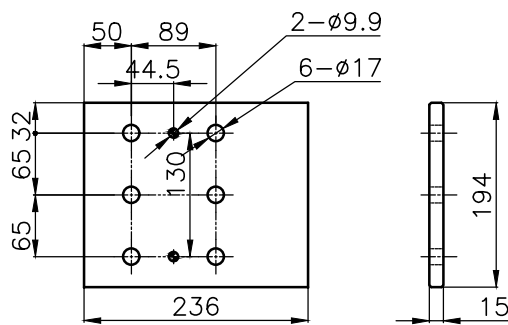
OUTPUT SHAFT DIRECTION OF ROTATION IN FORWARD.(C.W)



EYEBOLT FOR LIFTING MARINE TRANSMISSION (2-BOLTS ONE EACH SIDE)



OUTPUT SHAFT DIRECTION OF ROTATION IN FORWARD.(C.C.W)



BRACKET DIMENSION

REMARK

- 1.HOUSING: SAE#2
- 2.DRIVING RING: SAE 11.5"
- 3.COUPLING TYPE : DUAL STAGE

공통공차 TOLERANCE ON				번호 NO.	품 PART NO.	변 PART NAME	개수 Q'TY	재 MATERIAL	규 SIZE	비 REMARKS																							
분수 FRACTIONS	소수 DECIMALS	각도 ANGLES	공차 TOLERANCE																														
±	±	±	±																														
<table border="1"> <tr> <th>구분</th> <th>조급</th> <th>중급</th> <th>정급</th> </tr> <tr> <td>1 초과 4 이하</td> <td>± 0.3</td> <td>± 0.1</td> <td>± 0.05</td> </tr> <tr> <td>4 16</td> <td>± 0.5</td> <td>± 0.2</td> <td>± 0.07</td> </tr> <tr> <td>16 63</td> <td>± 0.7</td> <td>± 0.3</td> <td>± 0.1</td> </tr> <tr> <td>63 250</td> <td>± 1.2</td> <td>± 0.5</td> <td>± 0.2</td> </tr> <tr> <td>250 1000</td> <td>± 2.0</td> <td>± 0.8</td> <td>± 0.3</td> </tr> </table>				구분	조급	중급	정급	1 초과 4 이하	± 0.3	± 0.1	± 0.05	4 16	± 0.5	± 0.2	± 0.07	16 63	± 0.7	± 0.3	± 0.1	63 250	± 1.2	± 0.5	± 0.2	250 1000	± 2.0	± 0.8	± 0.3	재 MATERIAL 2018.09.12 DATE SCALE N/S		형 식 TYPE DMT100IV		원 도 번호 ORIGINAL DWG. NO.	
구분	조급	중급	정급																														
1 초과 4 이하	± 0.3	± 0.1	± 0.05																														
4 16	± 0.5	± 0.2	± 0.07																														
16 63	± 0.7	± 0.3	± 0.1																														
63 250	± 1.2	± 0.5	± 0.2																														
250 1000	± 2.0	± 0.8	± 0.3																														
승인 인 APPROVED BY JK.Kim				검 도 CHECKED BY TH.Cha		제 도 DRAWN GH.Park		품 명 NAME MARINE TRANSMISSION		개 형 (REV.) 000																							
도 번 DWG. NO. V100000GE~GH-2115DCH				크 기 SIZE A 3		코 드 번호 CODE ID. NO.		D-I INDUSTRIAL																									