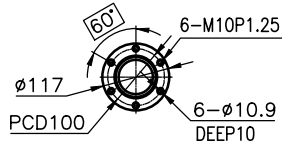
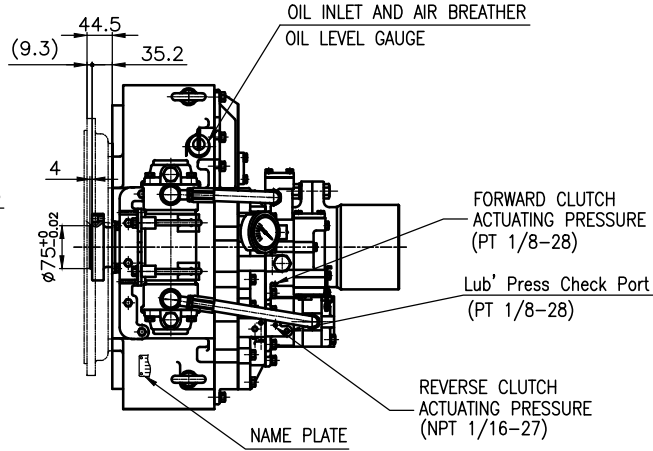


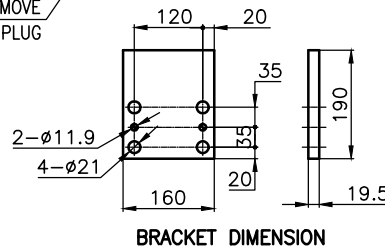
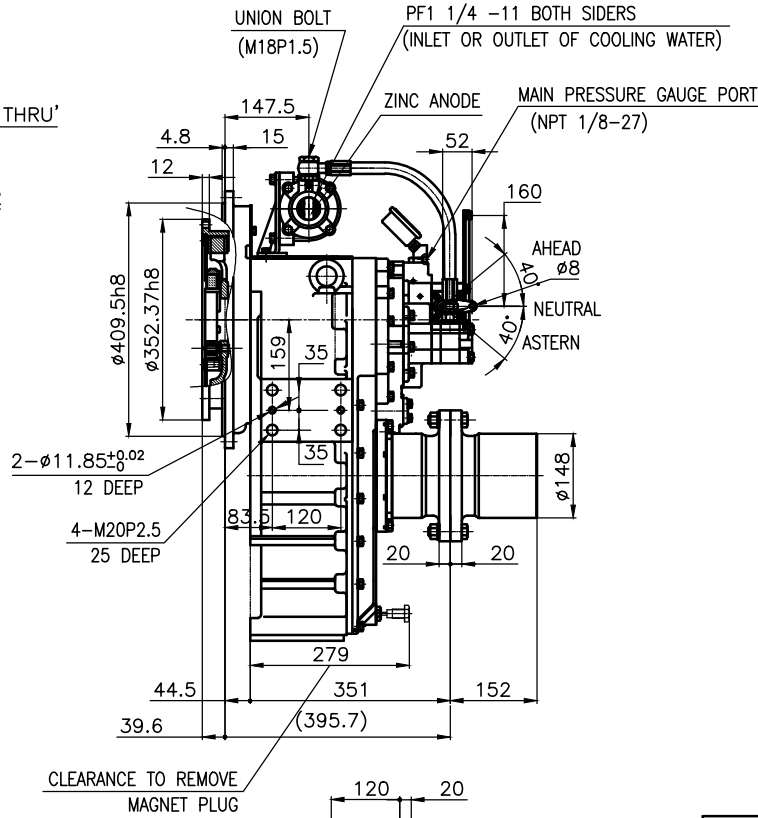
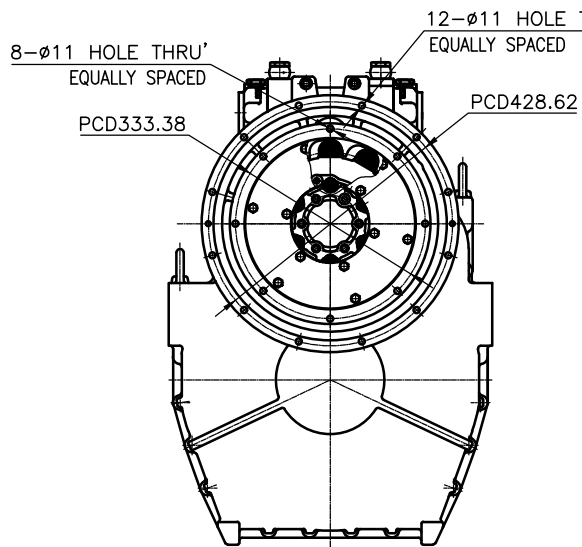
OUTPUT SHAFT COUPLING & PROPELLER COUPLING DIMENSION



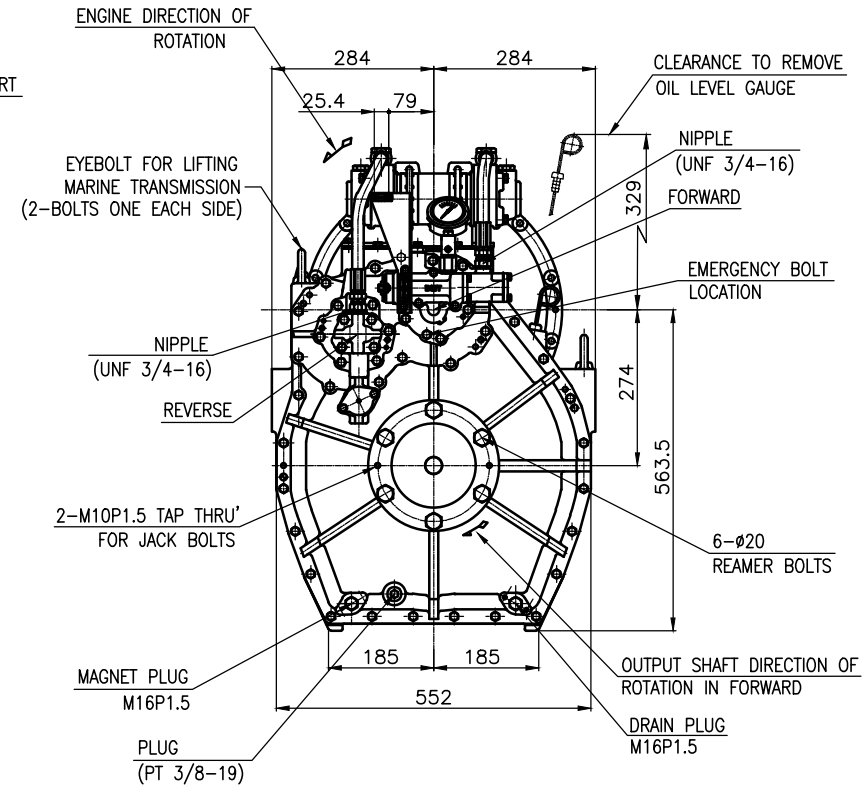
INPUT COUPLING DIMENSION



DMT 135HL MARINE TRANSMISSION SPECIFICATION	
GEAR RATIO	4.07, 4.50, 4.95
TOTAL WEIGHT	APPROX. 263 kg(DRY)
OIL CAPACITY	APPROX. 9.5L
OIL VISCOSITY	SAE # 30
OIL PRESSURE	1.96 ~ 2.54 MPa CLUTCH OIL
DIRECTION OF ROTATION IN FORWARD	C.C.W VIEWED FROM THE STERN
DIRECTION OF ROTATION IN REVERSE	C.W VIEWED FROM THE STERN
OIL CHANGE INTERVAL	THE FIRST 100HOURS OF INITIAL OPERATION AND EVERY 1000HOURS THEREAFTER
SHIFTING LIMIT	UNDER 50% OF THE RATED ENGINE SPEED
OIL COOLER	WATER FLOW 40 ~ 60L/min TEMPERATURE OF COOLING WATER MAX 32°C
OPERATING TORQUE OF SHIFTING LEVER	UNDER 2.94Nm



BRACKET DIMENSION



- REMARK**
- 1.HOUSING: SAE#3
 - 2.DRIVING RING: SAE 11.5"
 - 3.COUPLING TYPE : DUAL STAGE
 - 4.APPLICATION ENGINE : STANDARD

공통규격 TOLERANCE ON				PART NO. PART NAME				개수 QTY	재질 MATERIAL	규격 SIZE	비고 REMARKS
분수 FRACTIONS		소수 DECIMALS		각도 ANGLES		재료 MATERIAL		형식 TYPE		원도 번호 ORIGINAL DWG. NO.	
±	±	±	±	±	±	2018.08.12	N/S	DMT135HL			
확인 CHECKED		검사 INSPECTED		가공 FABRICATED		DATE 2018.08.12		SCALE N/S		제명 NAME MARINE TRANSMISSION	
APPROVED BY JK.Kim		CHECKED BY TH.Cha		DESIGNED GH.Park		DWG. NO. 13500CHA~C-3115DC		REV. 000		REV. 000	
D-I INDUSTRIAL				크기 SIZE A 8				코드 번호 CODE ID. NO.			