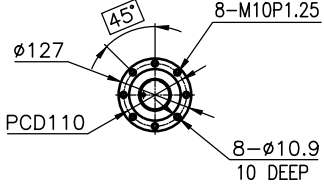
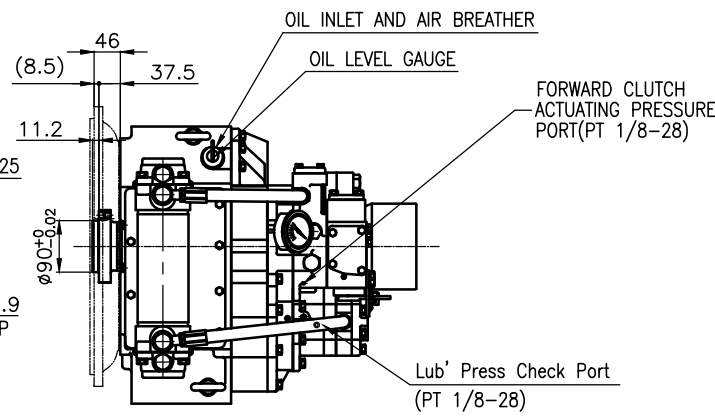


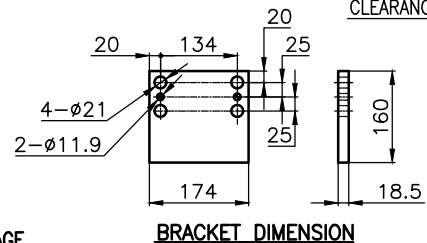
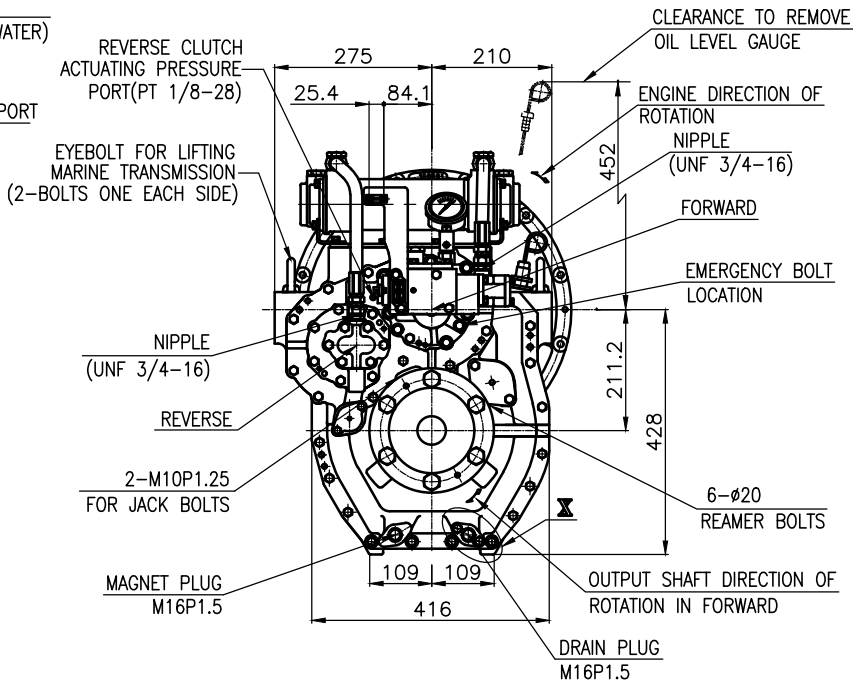
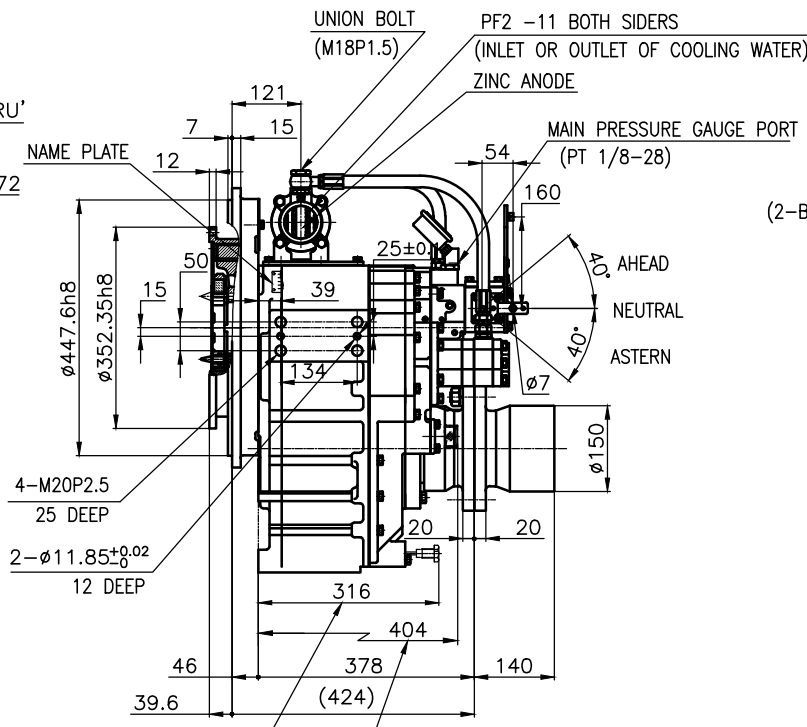
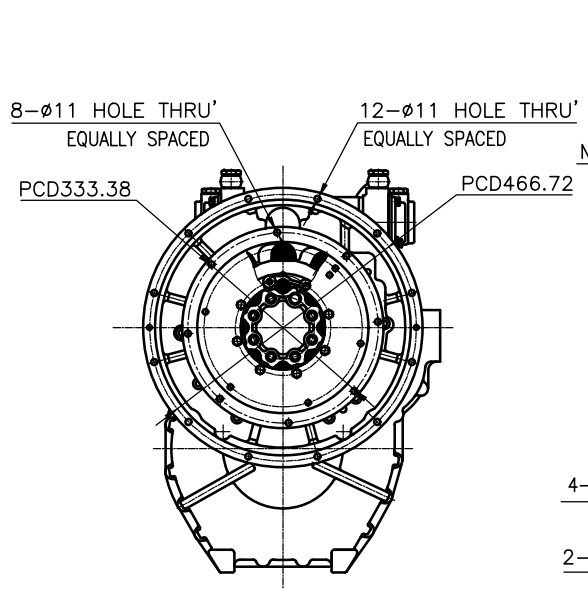
OUTPUT SHAFT COUPLING & PROPELLER COUPLING DIMENSION



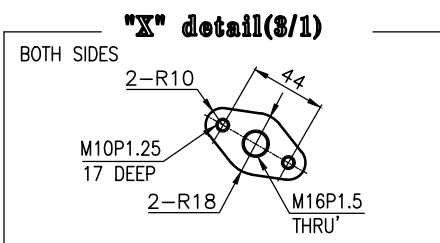
INPUT COUPLING DIMENSION



DMT 150H MARINE TRANSMISSION SPECIFICATION			
GEAR RATIO	1.83, 2.09, 2.51, 3.08, 3.43		
TOTAL WEIGHT	APPROX. 287 kg(DRY)		
OIL CAPACITY	APPROX. 5.5 L		
OIL VISCOSITY	SAE # 30		
OIL PRESSURE	1.96 ~ 2.35 MPa	CLUTCH OIL	
DIRECTION OF ROTATION	INPUT	C.C.W VIEWED FROM THE STERN	
	OUTPUT	C.W VIEWED FROM THE STERN	
OIL CHANGE INTERVAL	THE FIRST 100HOURS OF INITIAL OPERATION AND EVERY 1000HOURS THEREAFTER		
SHIFTING LIMIT	UNDER 50% OF THE RATED ENGINE SPEED		
OIL COOLER	WATER FLOW 40 ~ 60L/min		TEMPERATURE OF COOLING WATER MAX 32°C
	OPERATING TORQUE OF SHIFTING LEVER		UNDER 2.94Nm



BRACKET DIMENSION



- REMARK (HOT)
- 1.HOUSING: SAE#2
  - 2.DRIVING RING: SAE 11.5"
  - 3.COULING TYPE : DUAL STAGE
  - 4.APPLICATION ENGINE : STANDARD

공용공차	TOLERANCE ON	번호	PART NO.	명	PART NAME	개수	재	질	규	비	REMARKS
분수	소수	각도		제	형	량	질	격	고	고	
FRACTIONS	DECIMALS	ANGLES		MATERIAL	TYPE	QTY	MATERIAL	SIZE	REMARKS	ORIGINAL DWG. NO.	
±	±	±		DATE	SCALE				DMT150H		
				2018.09.12	1/1				MARINE TRANSMISSION		
일	구	분	조	총	검	형	도	설	NAME	151000A-E-2115DCH	개(REV.)
년	1	호	과	4	이	하	± 0.3	± 0.1	JK.Kim	TH.Cha	GH.Park
	4	16	± 0.5	± 0.2	± 0.07				DWG. NO.		000
	16	63	± 0.7	± 0.3	± 0.1				SIZE	A 3	코드 번호
	63	250	± 1.2	± 0.5	± 0.2				CODE ID. NO.		
	250	1000	± 2.0	± 0.8	± 0.3						

