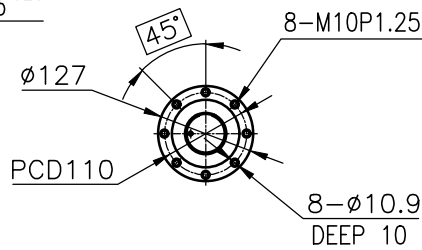
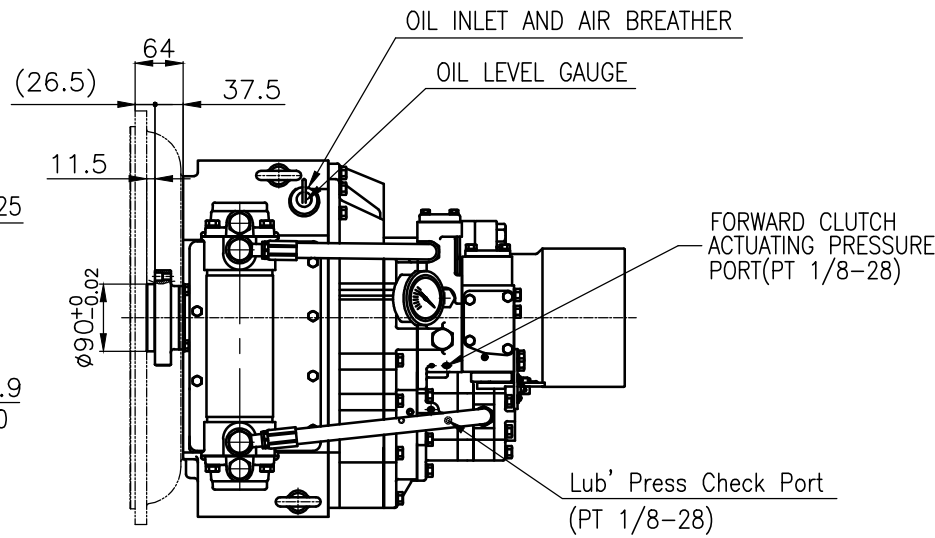


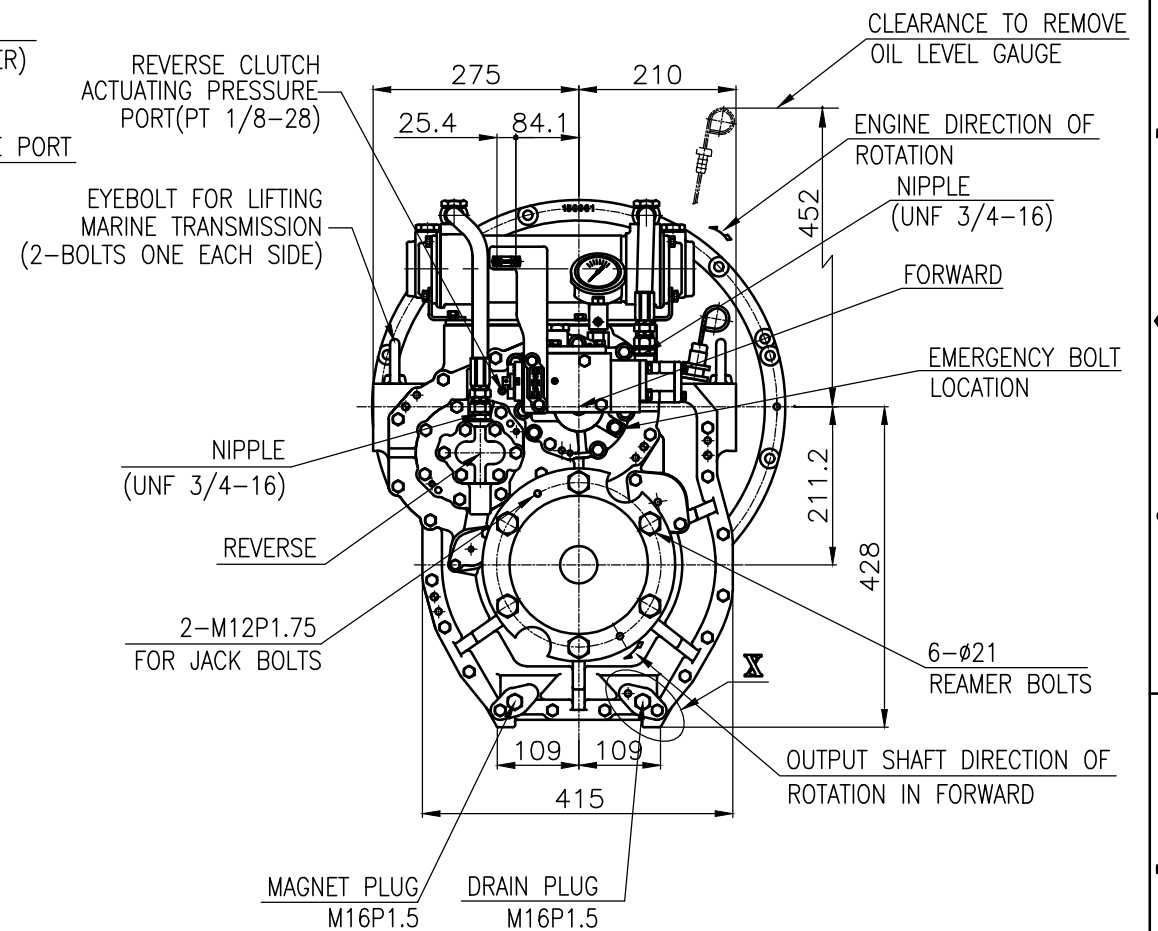
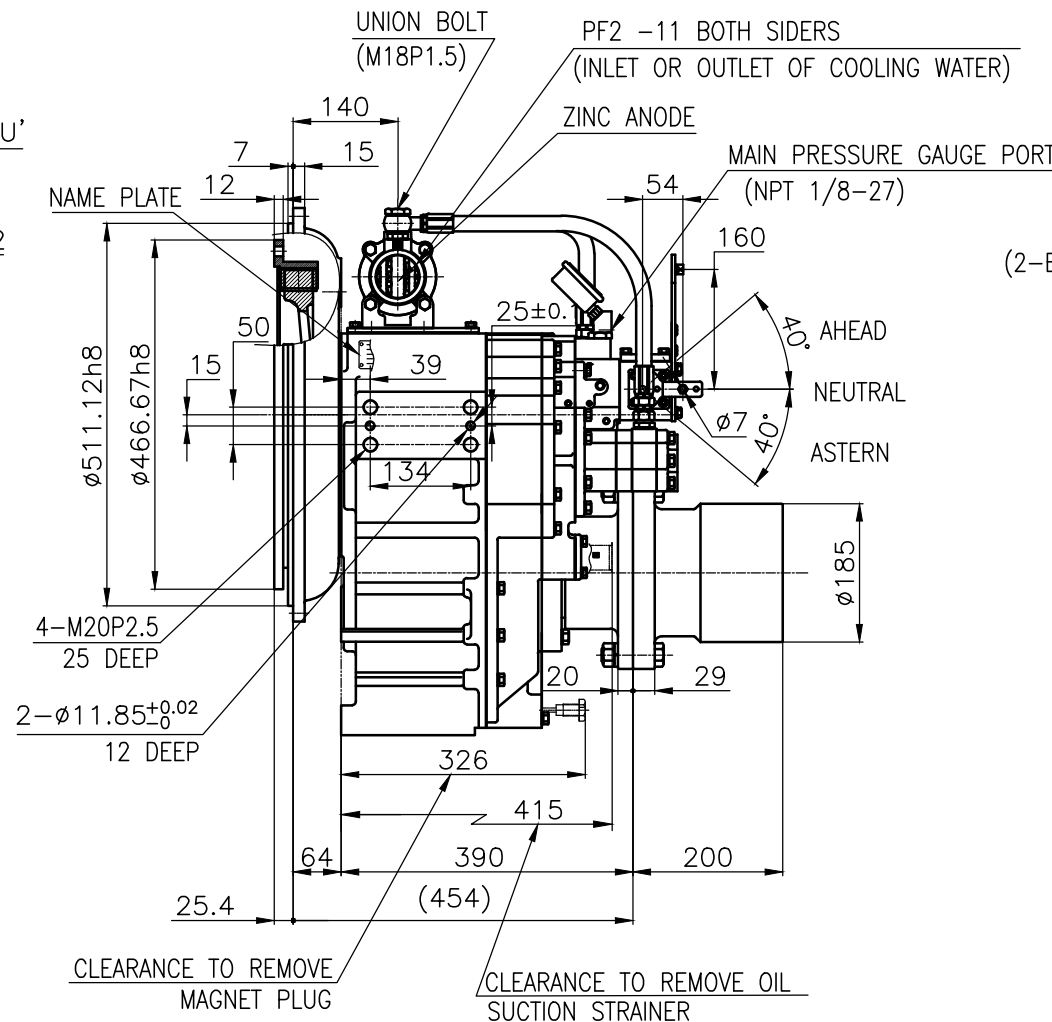
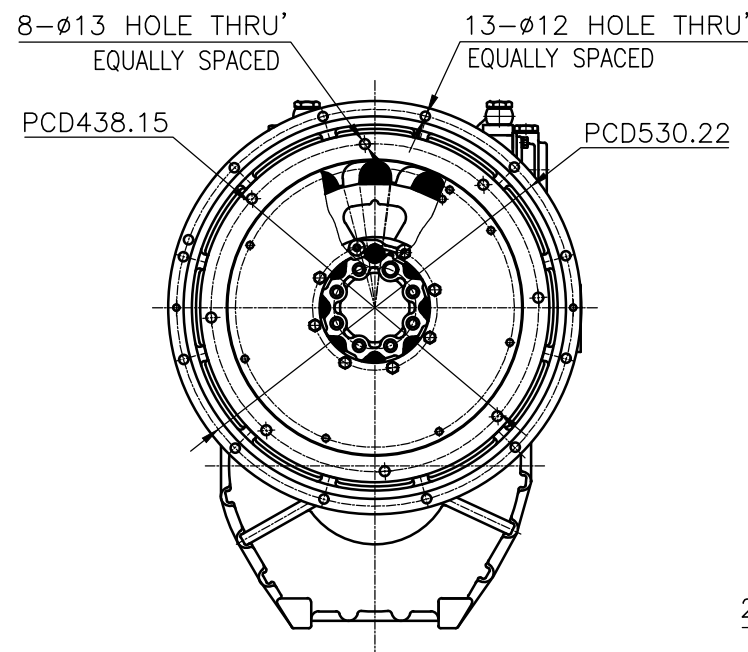
OUTPUT SHAFT COUPLING & PROPELLER COUPLING DIMENSION



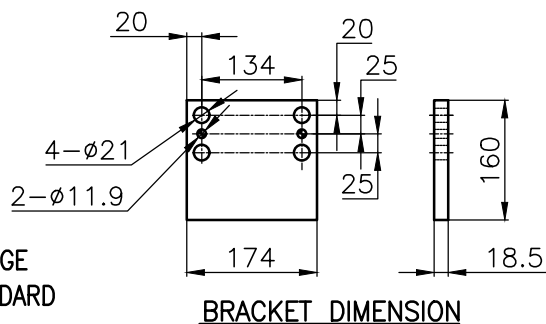
INPUT COUPLING DIMENSION



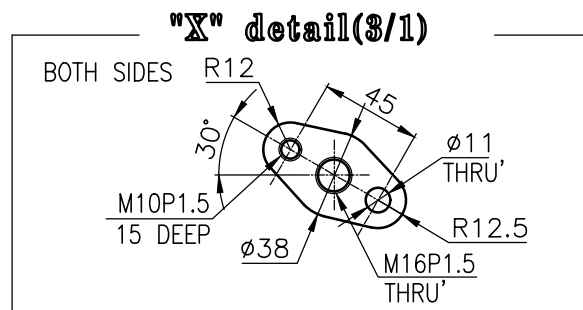
DMT 190H MARINE TRANSMISSION SPECIFICATION		
GEAR RATIO	1.83, 2.09, 2.52, 3.08, 3.43	
TOTAL WEIGHT	APPROX. 300 kg(DRY)	
OIL CAPACITY	APPROX. 5.5 L	
OIL VISCOSITY	SAE # 30	
OIL PRESSURE	1.96 ~ 2.35 MPa	CLUTCH OIL
DIRECTION OF ROTATION IN FORWARD	INPUT	C.C.W VIEWED FROM THE STERN
	OUTPUT	C.W VIEWED FROM THE STERN
OIL CHANGE INTERVAL	THE FIRST 100HOURS OF INITIAL OPERATION AND EVERY 1000HOURS THEREAFTER	
SHIFTING LIMIT	UNDER 50% OF THE RATED ENGINE SPEED	
OIL COOLER	WATER FLOW 40 ~ 60L/min	
	TEMPERATURE OF COOLING WATER	MAX 32°C
OPERATING TORQUE OF SHIFTING LEVER	UNDER 2.94Nm	



- REMARK  
 1.HOUSING: SAE#1  
 2.DRIVING RING: SAE 14"  
 3.COUPLING TYPE : DUAL STAGE  
 4.APPLICATION ENGINE : STANDARD



BRACKET DIMENSION



공통공차 TOLERANCE ON				번호 NO.	품 PART NO.	명 PART NAME	개수 QTY	재 MATERIAL	규 SIZE	비 REMARKS	
분수 FRACTIONS	소수 DECIMALS	각도 ANGLES	공차 TOLERANCE								
±	±	±	±								
일	구	분	조	검	중	검	정				
1	초	과	4	이	하	±0.3	±0.1	±0.05			
4	16	±0.5	±0.2	±0.07							
16	63	±0.7	±0.3	±0.1							
63	250	±1.2	±0.5	±0.2							
250	1000	±2.0	±0.8	±0.3							
MATERIAL				작성 DATE 2018.09.12	척도 SCALE 1/1						
APPROVED BY JK.Kim				검토 CHECKED BY TH.Cha	제도 DRAWN GH.Park	실계 DESIGNED					
DMT190H							TYPE				
MARINE TRANSMISSION							NAME				
186000GA~E-114DC							DWG. NO.				
D-I INDUSTRIAL							크기 SIZE A 3				
							코드 번호 CODE ID. NO.				