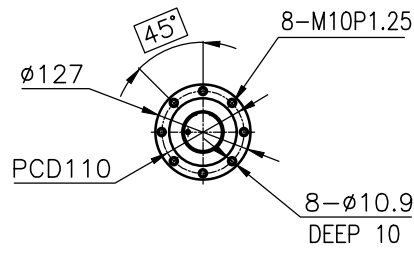
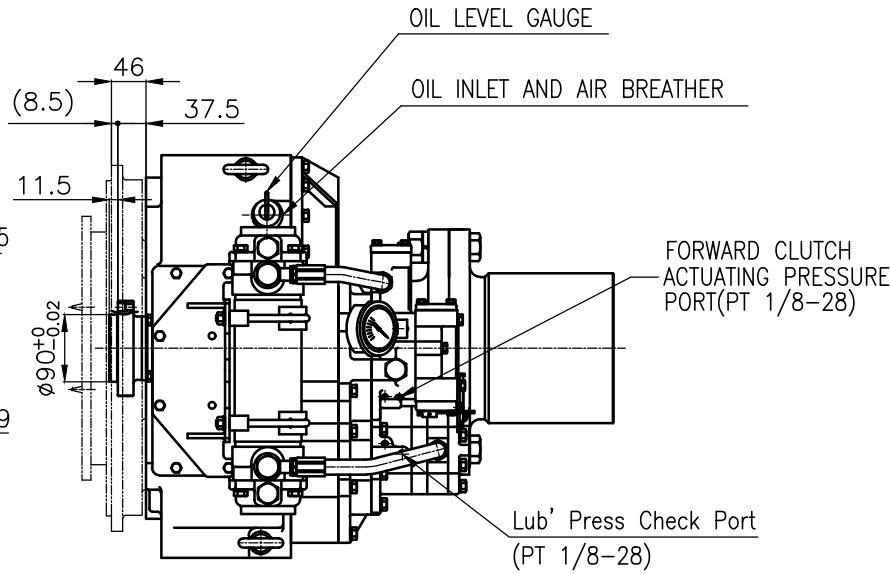


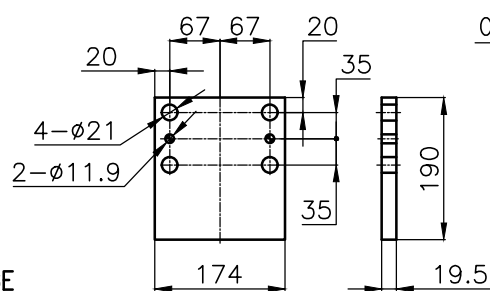
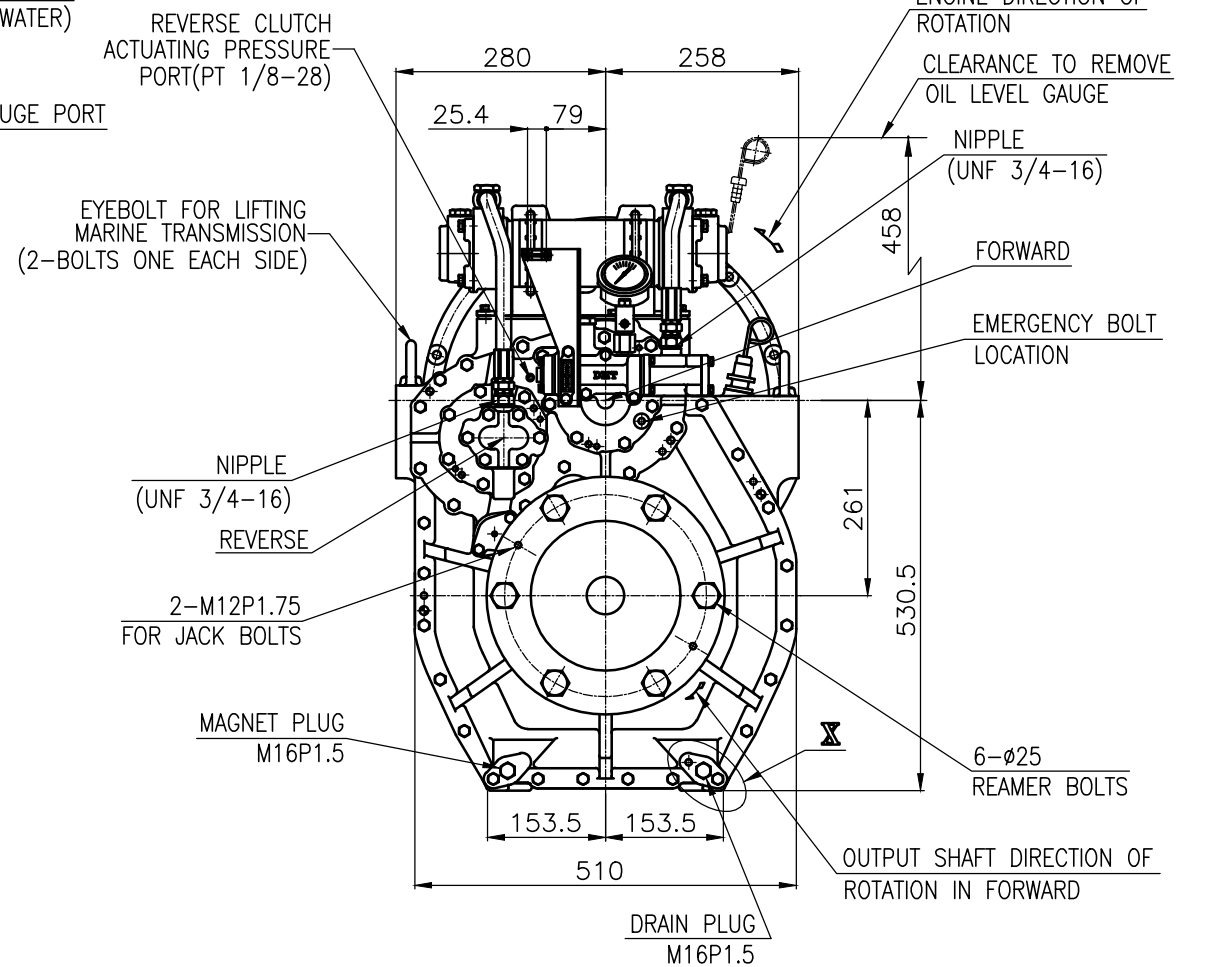
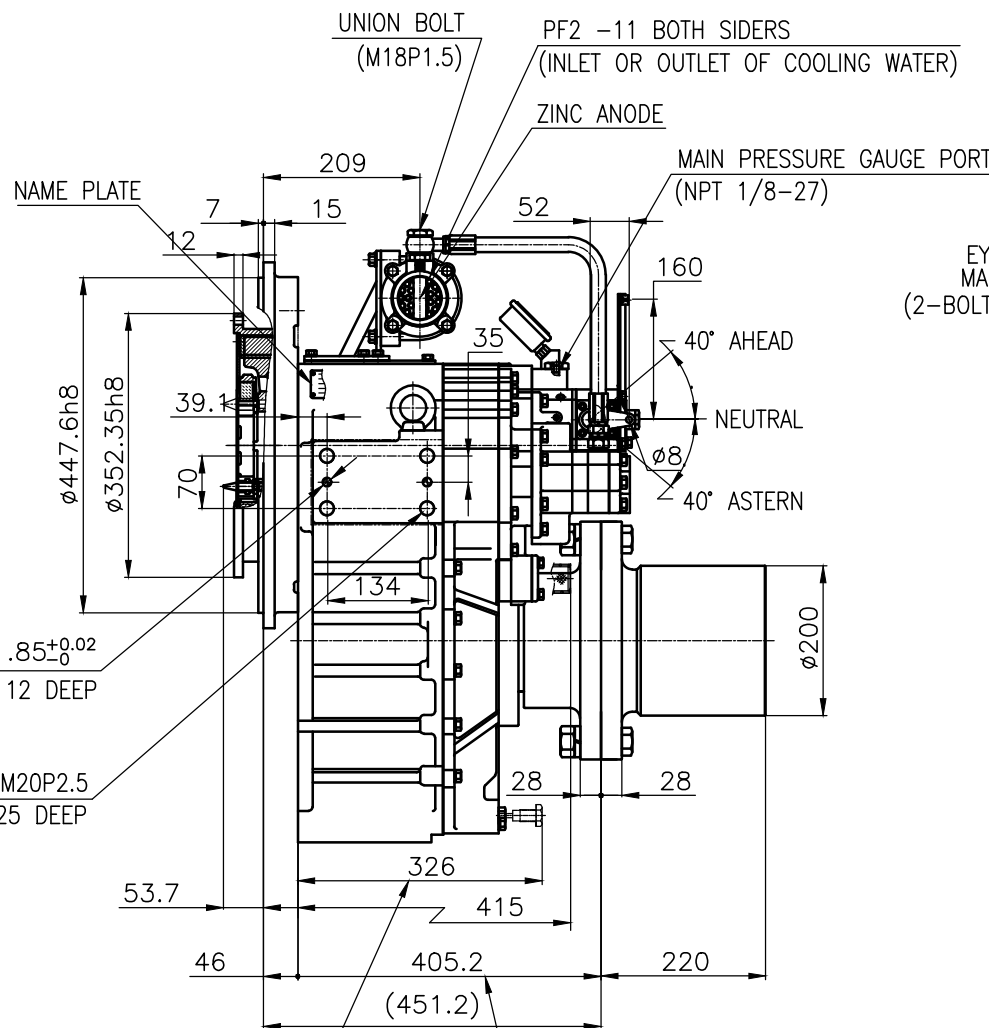
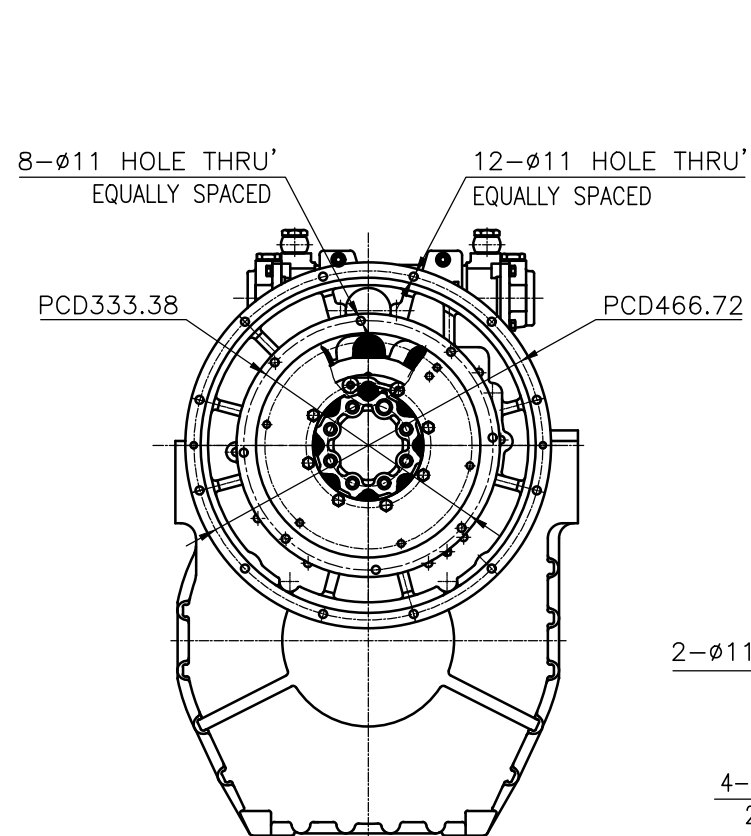
OUTPUT SHAFT COUPLING & PROPELLER COUPLING DIMENSION



INPUT COUPLING DIMENSION



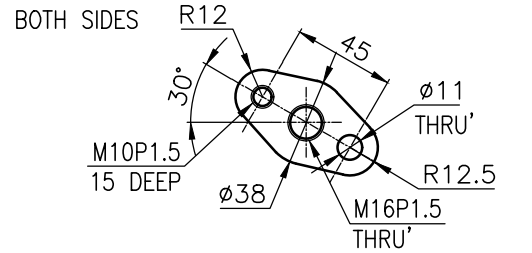
DMT 200HL MARINE TRANSMISSION SPECIFICATION	
GEAR RATIO	4.04, 4.48
TOTAL WEIGHT	APPROX. 380 kg(DRY)
OIL CAPACITY	APPROX. 10 L
OIL VISCOSITY	SAE # 30
OIL PRESSURE	1.96 ~ 2.54 MPa CLUTCH OIL
DIRECTION OF ROTATION IN FORWARD	INPUT C.C.W VIEWED FROM THE STERN OUTPUT C.W VIEWED FROM THE STERN
OIL CHANGE INTERVAL	THE FIRST 100HOURS OF INITIAL OPERATION AND EVERY 1000HOURS THEREAFTER
SHIFTING LIMIT	UNDER 50% OF THE RATED ENGINE SPEED
OIL COOLER	WATER FLOW 40 ~ 60L/min TEMPERATURE OF COOLING WATER MAX 32°C
OPERATING TORQUE OF SHIFTING LEVER	UNDER 2.94Nm



BRACKET DIMENSION

CLEARANCE TO REMOVE MAGNET PLUG  
CLEARANCE TO REMOVE OIL SUCTION STRAINER

"X" detail(3/1)



- REMARK  
 1.HOUSING: SAE#2  
 2.DRIVING RING: SAE 11.5"  
 3.COUPLING TYPE : DUAL STAGE  
 4.APPLICATION ENGINE : STANDARD

공용공차 TOLERANCE ON				번호 NO.	품 PART NO.	명 PART NAME	개수 QTY	재 MATERIAL	규 SIZE	비 REMARKS	
분수 FRACTIONS	소수 DECIMALS	각도 ANGLES	±	제 MATERIAL	작성 DATE	척도 SCALE	형 식 TYPE	원 도 번 ORIGINAL DWG. NO.			
±	±	±	±	2018.09.12 <td>1/1 <td>DMT190HL <td colspan="2">MARINE TRANSMISSION <td colspan="2"></td> </td></td></td>	1/1 <td>DMT190HL <td colspan="2">MARINE TRANSMISSION <td colspan="2"></td> </td></td>	DMT190HL <td colspan="2">MARINE TRANSMISSION <td colspan="2"></td> </td>	MARINE TRANSMISSION <td colspan="2"></td>				
일	구 분	조 급	중 급	정 급	승 인 APPROVED BY	검 토 CHECKED BY	제 도 DRAWN	설 계 DESIGNED	품 명 NAME	도 번 DWG. NO.	계 획 (REV.)
반	1 초과 4 이하	± 0.3	± 0.1	± 0.05	JK.Kim	TH.Cha	GH.Park		190000HB~C-2115DC	000	
평	4 16	± 0.5	± 0.2	± 0.07							
차	16 63	± 0.7	± 0.3	± 0.1							
	63 250	± 1.2	± 0.5	± 0.2							
	250 1000	± 2.0	± 0.8	± 0.3							
				D-I INDUSTRIAL			크 기 SIZE	A 3	코 드 번 호 CODE ID. NO.		