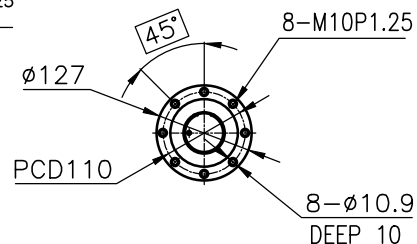
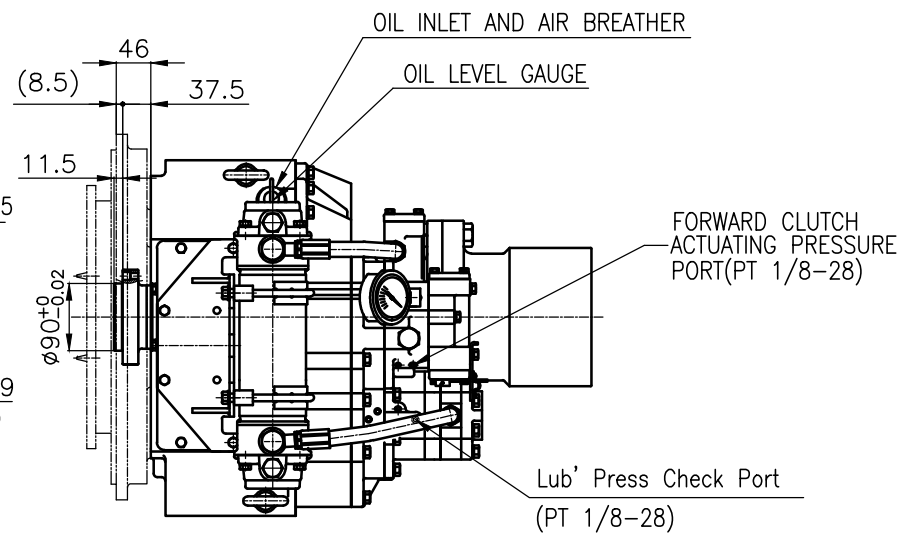


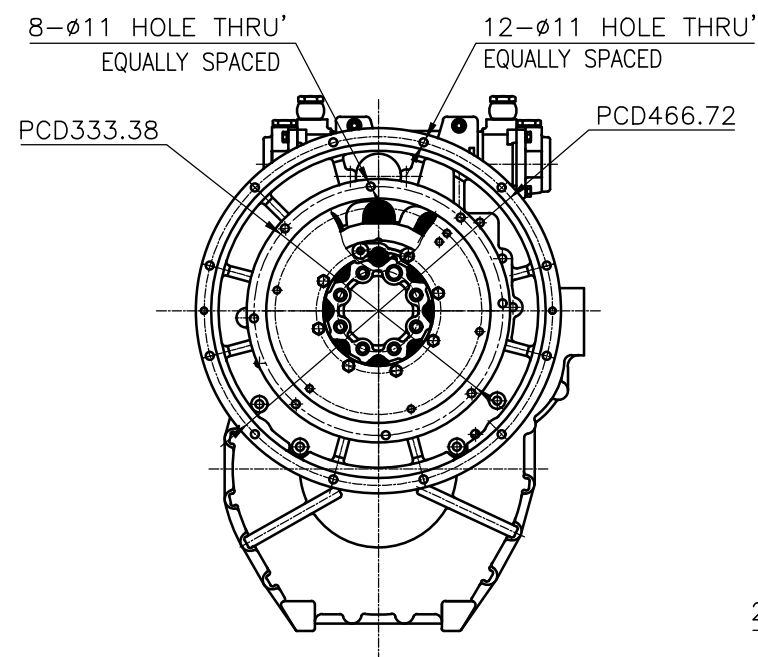
OUTPUT SHAFT COUPLING & PROPELLER COUPLING DIMENSION



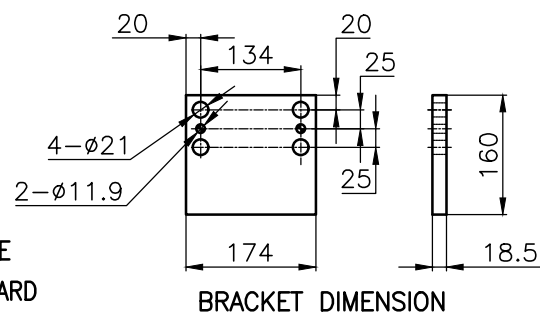
INPUT COUPLING DIMENSION



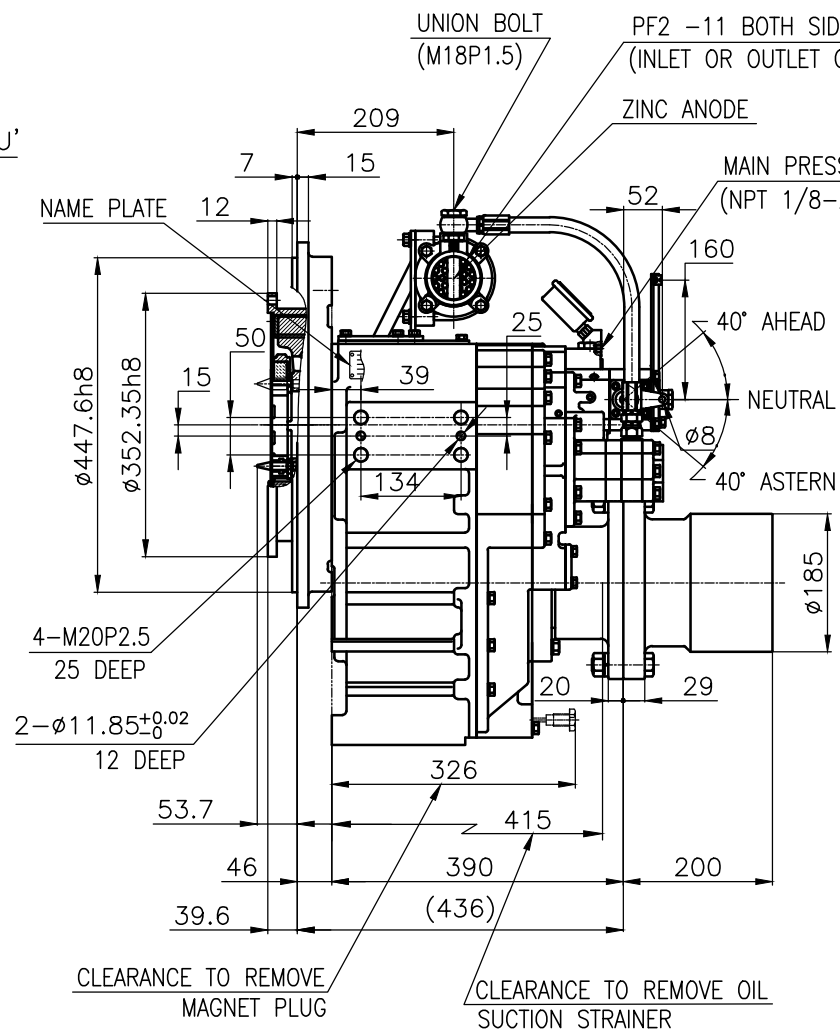
DMT 190H MARINE TRANSMISSION SPECIFICATION			
GEAR RATIO	1.83, 2.09, 2.52, 3.08, 3.43		
TOTAL WEIGHT	APPROX. 300 kg(DRY)		
OIL CAPACITY	APPROX. 5.5 L		
OIL VISCOSITY	SAE # 30		
OIL PRESSURE	1.96 ~ 2.54 MPa	CLUTCH OIL	
DIRECTION OF ROTATION IN FORWARD	INPUT	C.C.W VIEWED FROM THE STERN	
	OUTPUT	C.W VIEWED FROM THE STERN	
OIL CHANGE INTERVAL	THE FIRST 100HOURS OF INITIAL OPERATION AND EVERY 1000HOURS THEREAFTER		
SHIFTING LIMIT	UNDER 50% OF THE RATED ENGINE SPEED		
OIL COOLER	WATER FLOW 40 ~ 60L/min		
	TEMPERATURE OF COOLING WATER MAX 32°C		
OPERATING TORQUE OF SHIFTING LEVER	UNDER 2.94Nm		



- REMARK
- 1.HOUSING: SAE#2
 - 2.DRIVING RING: SAE 11.5"
 - 3.COUPLING TYPE : DUAL STAGE
 - 4.APPLICATION ENGINE : STANDARD



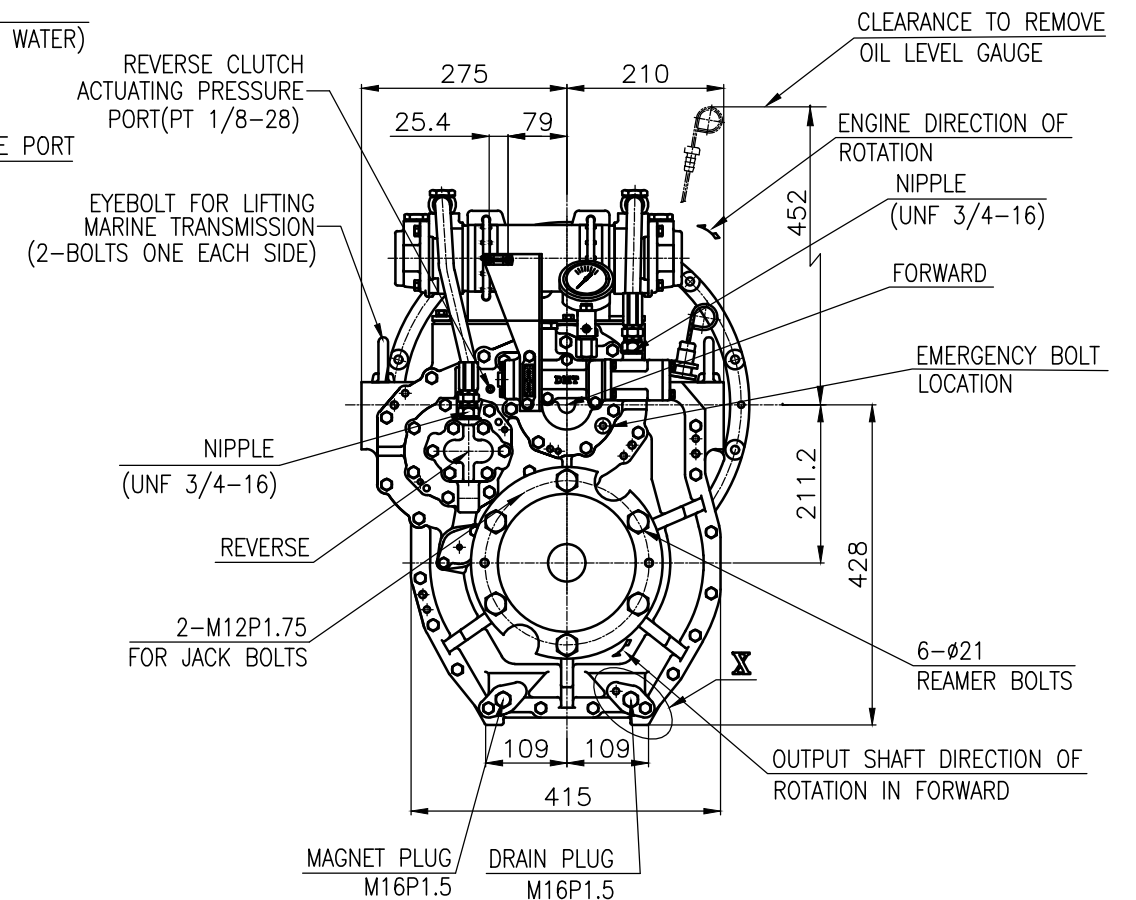
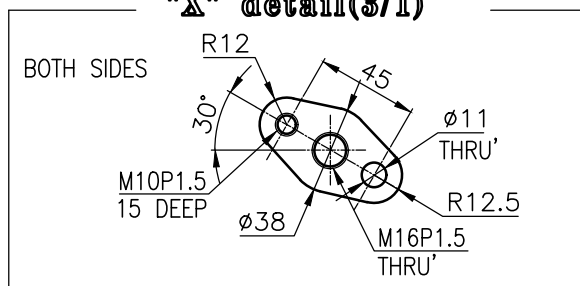
BRACKET DIMENSION



CLEARANCE TO REMOVE MAGNET PLUG

CLEARANCE TO REMOVE OIL SUCTION STRAINER

"X" detail(3/1)



공통공차 TOLERANCE ON				번호 NO.	품 PART NO.	품 PART NAME	개수 QTY	재 MATERIAL	규 SIZE	비 REMARKS	
분수 FRACTIONS	소수 DECIMALS	각도 ANGLES	공차 TOLERANCE								
±	±	±	±								
검사 기준				작성 DATE 2018.09.12		척도 SCALE 1/1		형식 TYPE DMT190H			
1 초과 4 이하 ±0.3 ±0.1 ±0.05				승인 APPROVED BY JK.Kim		검도 CHECKED BY TH.Cha		제도 DRAWN GH.Park		품명 NAME MARINE TRANSMISSION	
4 16 ±0.5 ±0.2 ±0.07				도 번호 DWG. NO. 185000GA~E-2115DC		도 번호 DWG. NO. 185000GA~E-2115DC		도 번호 DWG. NO. 185000GA~E-2115DC		개칭 (REV.) 000	
16 63 ±0.7 ±0.3 ±0.1				크기 SIZE A 3		크기 SIZE A 3		크기 SIZE A 3		코드 번호 CODE ID. NO.	
63 250 ±1.2 ±0.5 ±0.2				D-I INDUSTRIAL		D-I INDUSTRIAL		D-I INDUSTRIAL			
250 1000 ±2.0 ±0.8 ±0.3											