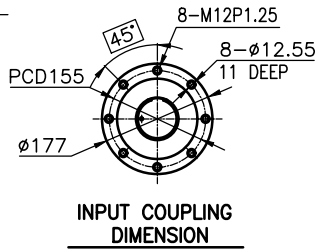
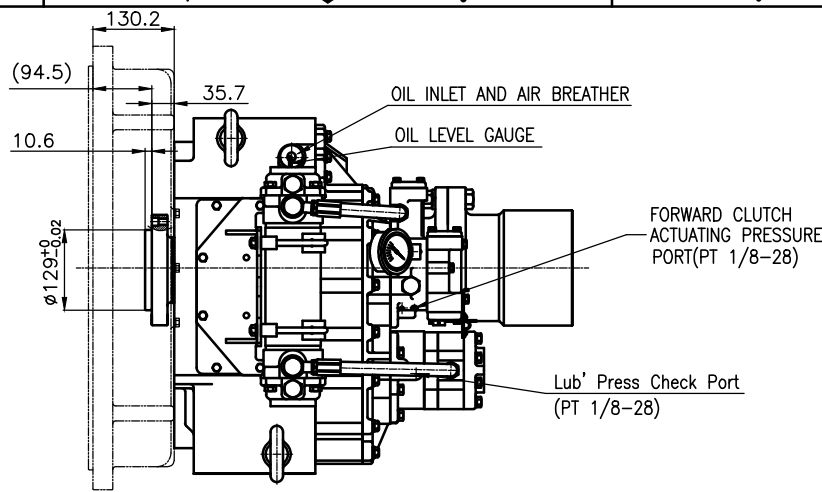


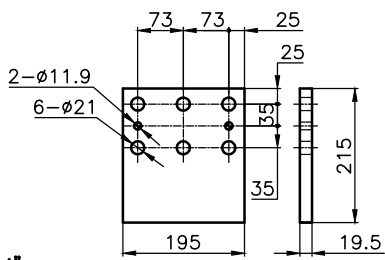
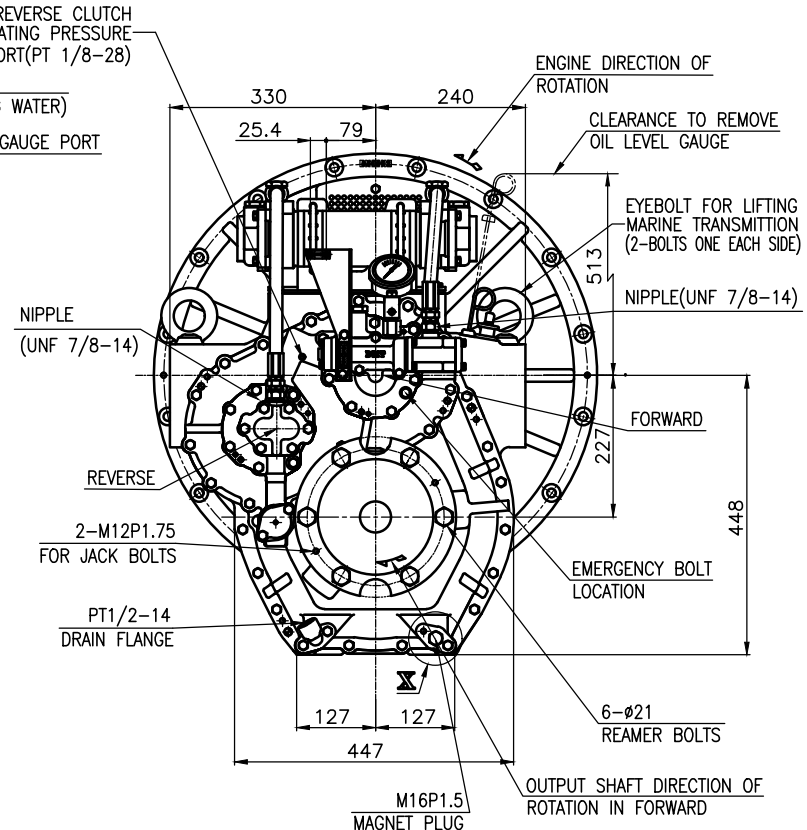
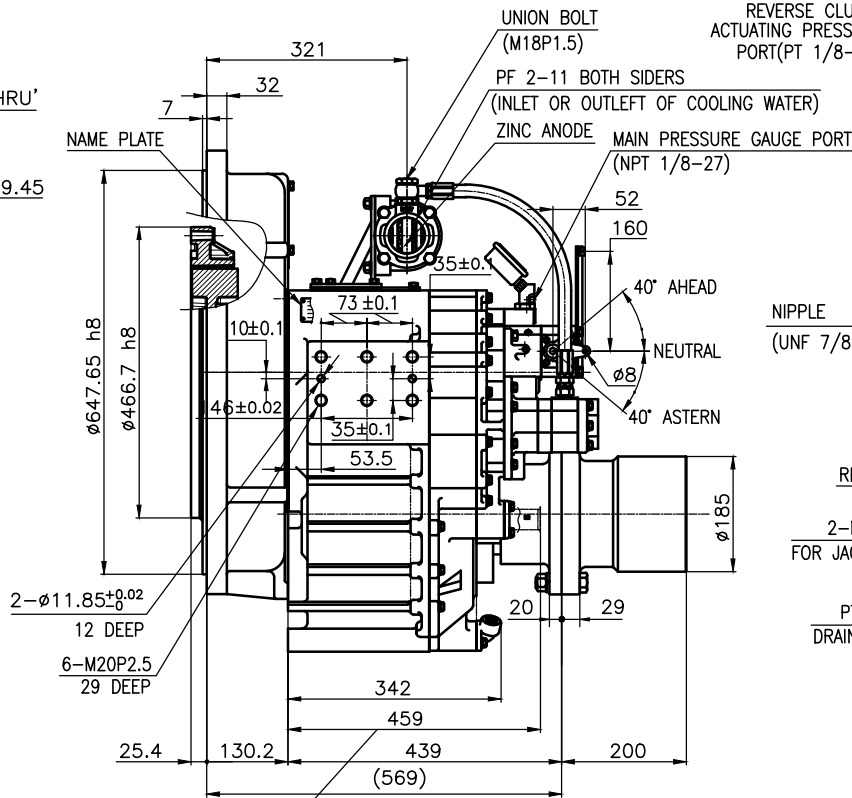
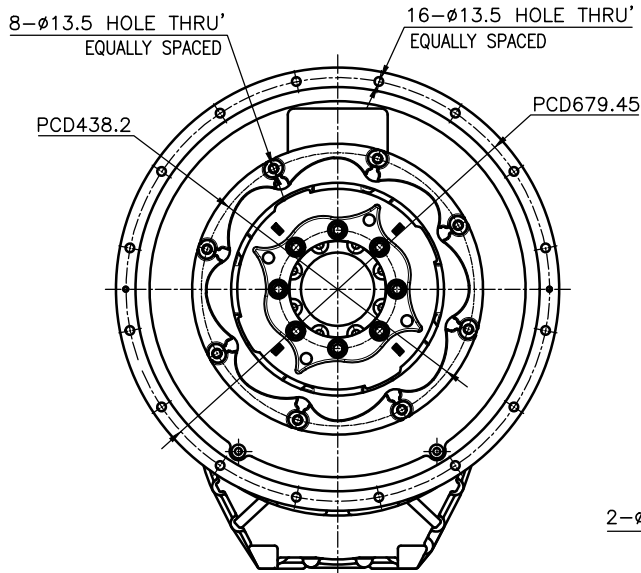
OUTPUT SHAFT COUPLING & PROPELLER COUPLING DIMENSION



INPUT COUPLING DIMENSION



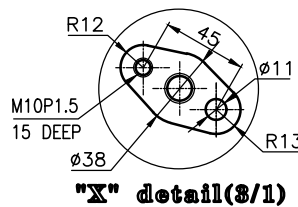
DMT240H MARINE TRANSMISSION SPECIFICATION	
GEAR RATIO	1.50 , 1.97 , 2.44 , 2.93 , 3.40
TOTAL WEIGHT	APPROX. 400 Kg(DRY)
OIL CAPACITY	APPROX. 8L
OIL VISCOSITY	SAE # 30
OIL PRESSURE	1.96 ~ 2.54 MPa
DIRECTION OF ROTATION IN FORWARD	INPUT C.C.W VIEWED FROM THE STERN OUTPUT C.W VIEWED FROM THE STERN
OIL CHANGE INTERVAL	THE FIRST 100HOURS OF INITIAL OPERATION AND EVERY 1000HOURS THEREAFTER
SHIFTING LIMIT	UNDER 50% OF THE RATED ENGINE SPEED
OIL COOLER	WATER FLOW 40 ~ 60 L/m TEMPERATURE OF COOLING WATER MAX 32°C
OPERATING TORQUE OF SHIFTING LEVER	UNDER 2.94Nm



BRACKET DIMENSION

- REMARK
- 1.HOUSING: SAE#0
 - 2.DRIVING RING: SAE 14"
 - 3.COUPLING TYPE
-CENTA Flex Coupling : 77268803

CLEARANCE TO REMOVE OIL SUCTION STRAINER



"X" detail(3/1)

TOLERANCE ON		PART NO.		PART NAME		Q'TY		MATERIAL		SIZE		REMARKS	
FRACTIONS	DECIMALS	각도	분	명	수	재질	구	비	원도	비	구	비	구
±	±	±	±	±	±	±	±	±	±	±	±	±	±
±	±	±	±	±	±	±	±	±	±	±	±	±	±
APPROVED BY		CHECKED BY		DRAWN		DESIGNED		SCALE		TYPE		REMARKS	
JK.Kim		TH.Cha		GH.Park				1/1		DMT240H		ORIGINAL DWG. NO.	
DATE		DATE		DATE		DATE		SCALE		TYPE		REMARKS	
2016.09.12		2016.09.12		2016.09.12		2016.09.12		1/1		MARINE TRANSMISSION		REV. NO.	
DWG. NO.		DWG. NO.		DWG. NO.		DWG. NO.		DWG. NO.		DWG. NO.		DWG. NO.	
24000GA~E-014CFR		24000GA~E-014CFR		24000GA~E-014CFR		24000GA~E-014CFR		24000GA~E-014CFR		24000GA~E-014CFR		REV. NO.	
000		000		000		000		000		000		000	
D-I INDUSTRIAL		D-I INDUSTRIAL		D-I INDUSTRIAL		D-I INDUSTRIAL		D-I INDUSTRIAL		D-I INDUSTRIAL		D-I INDUSTRIAL	
SIZE		SIZE		SIZE		SIZE		SIZE		SIZE		SIZE	
A 3		A 3		A 3		A 3		A 3		A 3		A 3	
CODE ID. NO.		CODE ID. NO.		CODE ID. NO.		CODE ID. NO.		CODE ID. NO.		CODE ID. NO.		CODE ID. NO.	