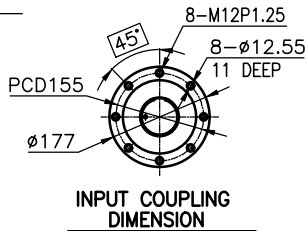
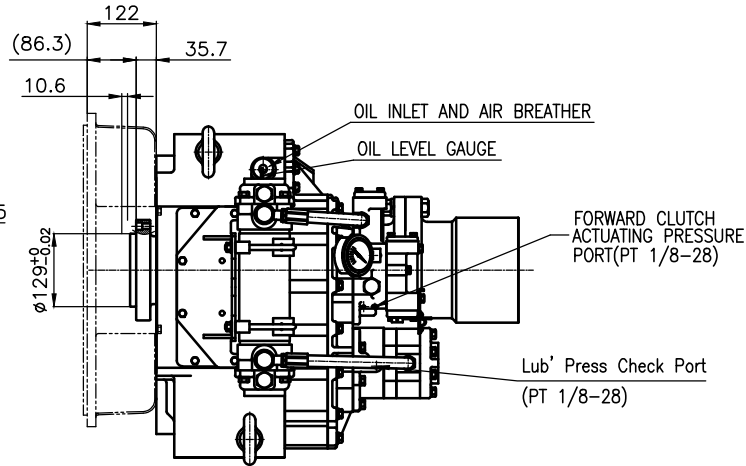


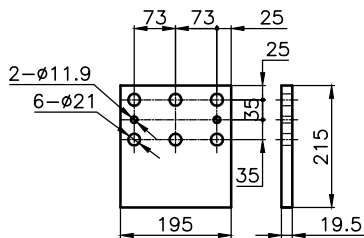
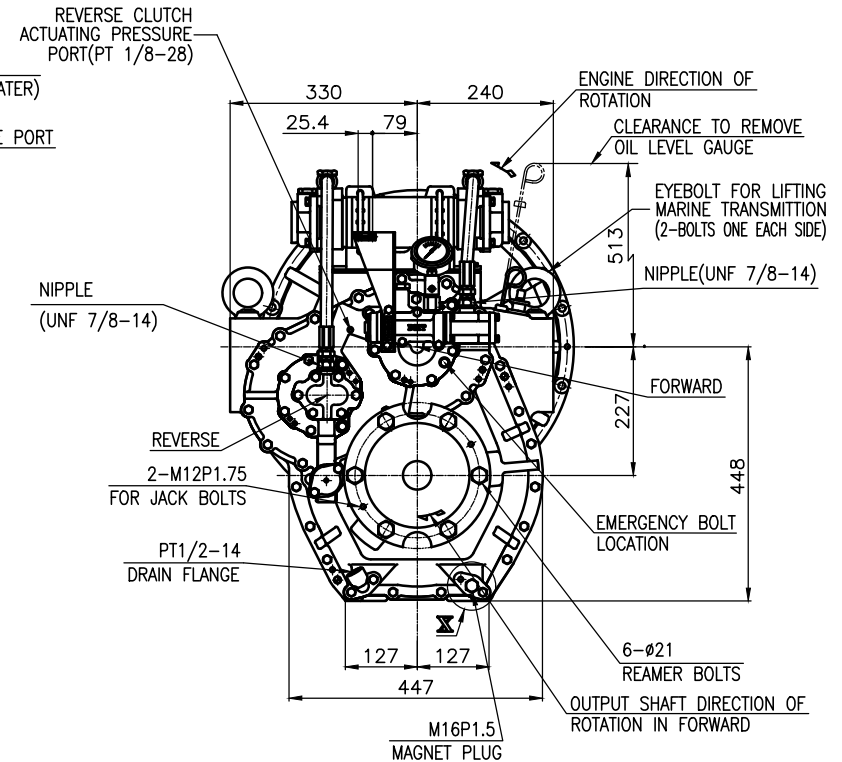
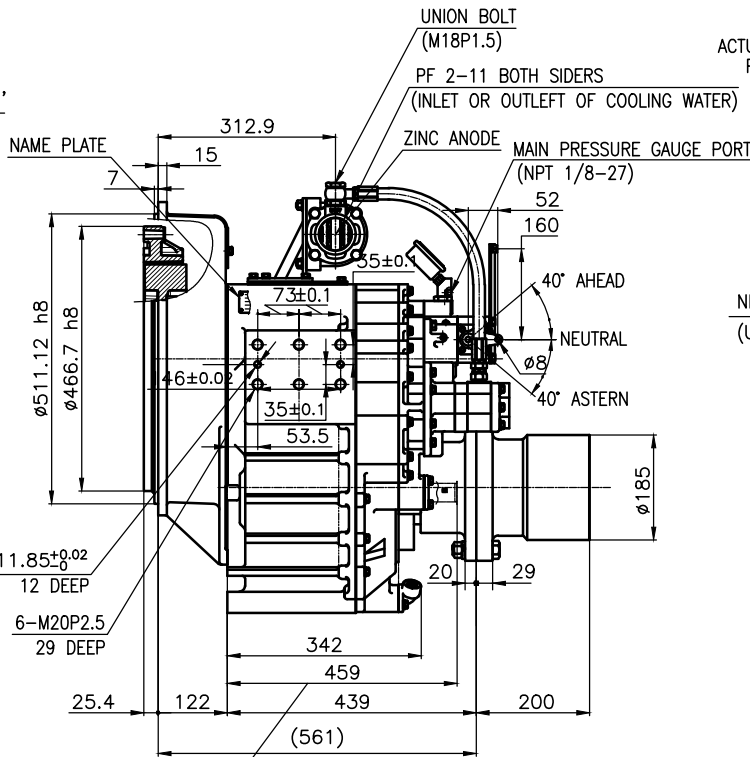
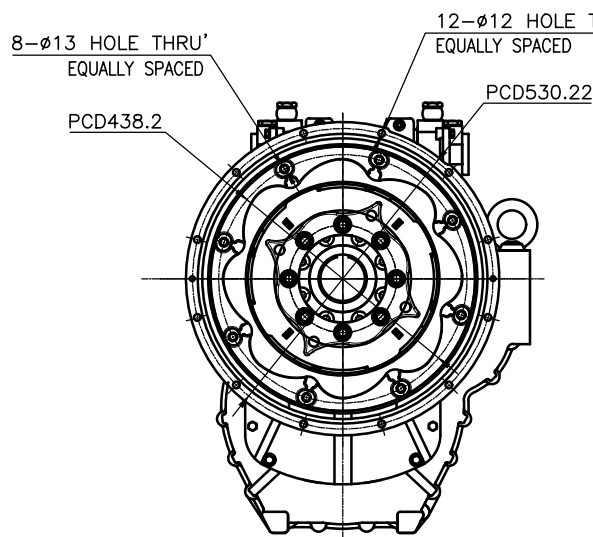
OUTPUT SHAFT COUPLING & PROPELLER COUPLING DIMENSION



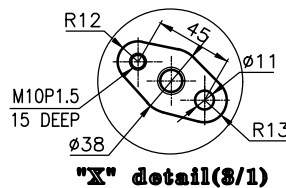
INPUT COUPLING DIMENSION



DMT240H MARINE TRANSMISSION SPECIFICATION	
GEAR RATIO	1.50, 1.97, 2.44, 2.93, 3.40
TOTAL WEIGHT	APPROX. 400 Kg(DRY)
OIL CAPACITY	APPROX. 8L
OIL VISCOSITY	SAE # 30
OIL PRESSURE	1.96 ~ 2.54 MPa CLUTCH OIL
DIRECTION OF ROTATION	INPUT C.C.W VIEWED FROM THE STERN
	OUTPUT C.W VIEWED FROM THE STERN
OIL CHANGE INTERVAL	THE FIRST 100HOURS OF INITIAL OPERATION AND EVERY 1000HOURS THEREAFTER
SHIFTING LIMIT	UNDER 50% OF THE RATED ENGINE SPEED
OIL COOLER	WATER FLOW 40 ~ 60 L/m TEMPERATURE OF COOLING WATER MAX 32°C
OPERATING TORQUE OF SHIFTING LEVER	UNDER 2.94Nm



BRACKET DIMENSION



"X" detail(B/1)

- REMARK
- 1.HOUSING: SAE#1
  - 2.DRIVING RING: SAE 14"
  - 3.COUPLING TYPE  
CENTA Flex Coupling (77268801)

공용공차	TOLERANCE ON	번호	부품 NO.	부품명	수량	재료	규격	비고
분수	소수	각도			입	입	입	REMARKS
±	±	±			TYPE	SCALE	TYPE	ORIGINAL DWG. NO.
±	±	±			DMT240H	1/1	DMT240H	
1 초과 4 이하			± 0.3 ± 0.1 ± 0.05		MARINE TRANSMISSION			
4 16			± 0.5 ± 0.2 ± 0.07		24000GA~E-114CFR			
16 63			± 0.7 ± 0.3 ± 0.1		000			
63 250			± 1.2 ± 0.5 ± 0.2					
250 1000			± 2.0 ± 0.8 ± 0.3					
D-I INDUSTRIAL		DATE 2018.09.12		SCALE 1/1				
APPROVED BY JK.Kim		CHECKED BY TH.Cha		DESIGNED BY GH.Park				
SIZE		A 8		CODE ID. NO.				