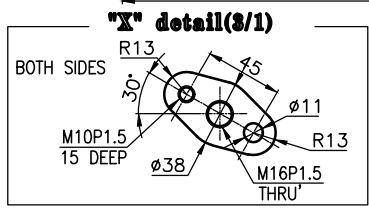
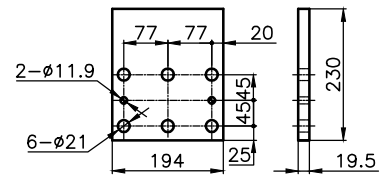
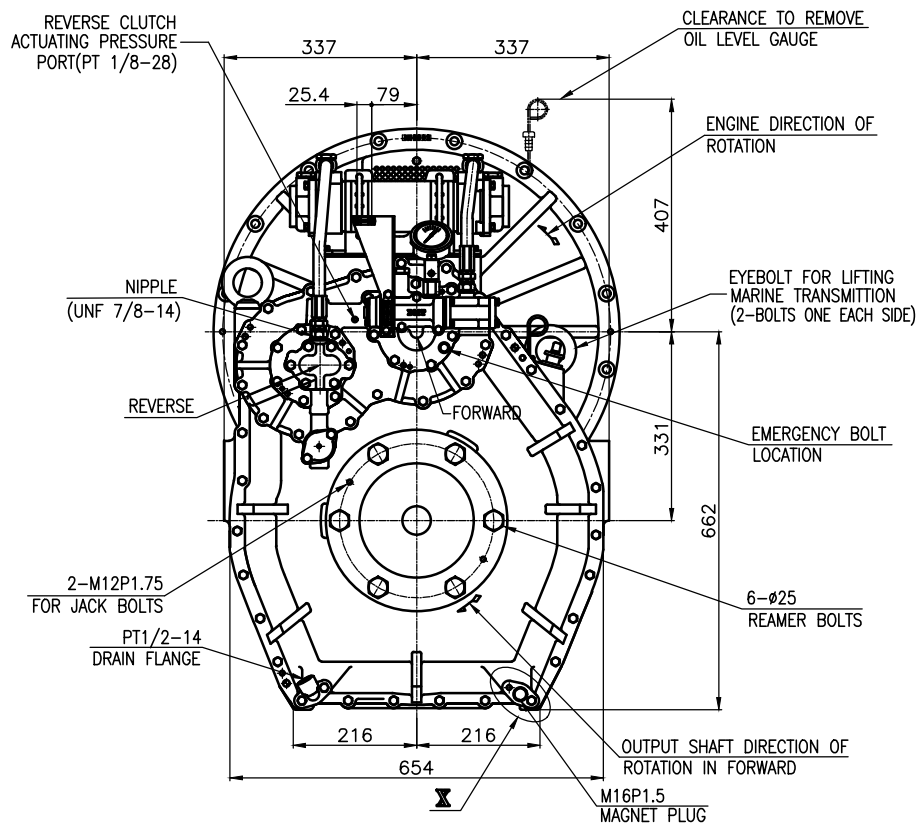
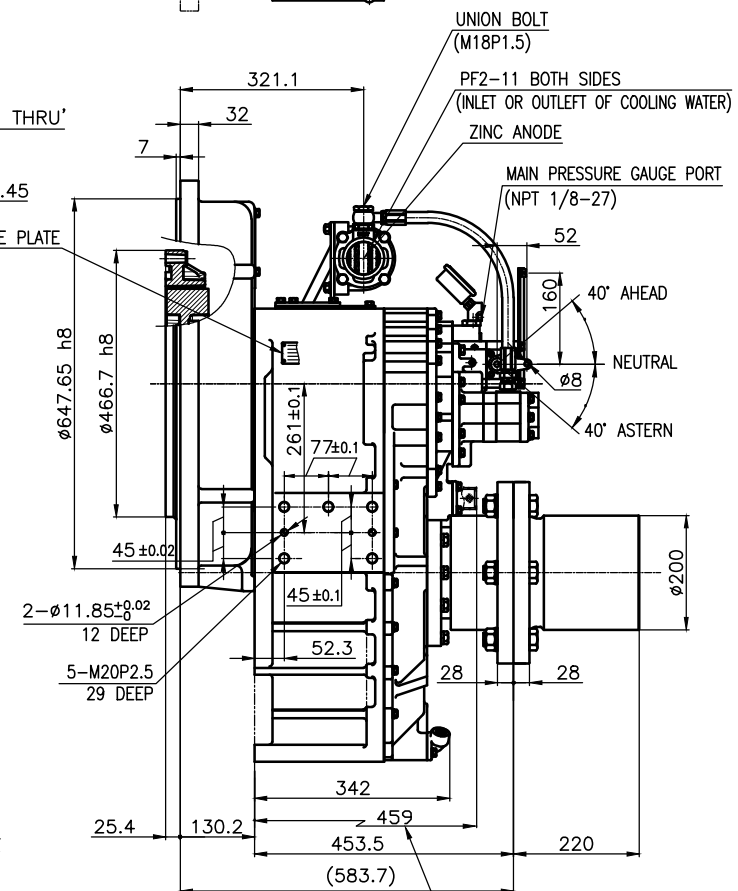
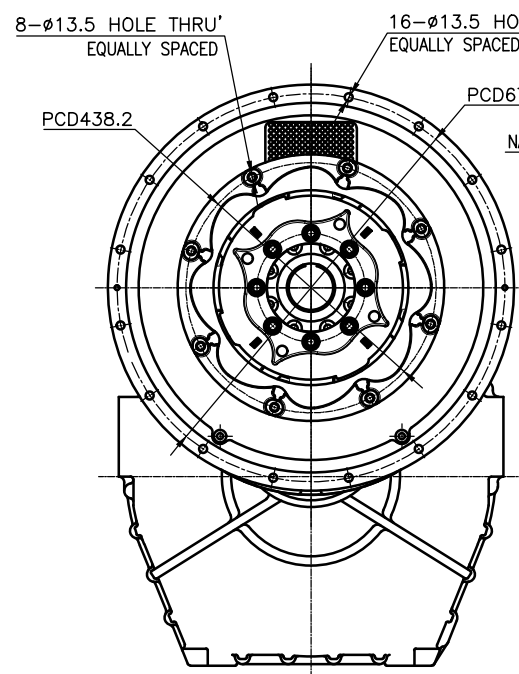


DMT260HL MARINE TRANSMISSION SPECIFICATION		
GEAR RATIO	3.53, 4.08, 4.52, 5.04	
TOTAL WEIGHT	APPROX. 640 Kg(DRY)	
OIL CAPACITY	APPROX. 19 L	
OIL VISCOSITY	SAE #30	
OIL PRESSURE	1.96 ~ 2.54 MPa	CLUTCH OIL
DIRECTION OF ROTATION	INPUT	C.W VIEWED FROM THE STERN
IN FORWARD	OUTPUT	C.W VIEWED FROM THE STERN
CHANGING INTERVAL	THE FIRST 100HOURS OF INITIAL OPERATION AND EVERY 1000HOURS THEREAFTER	
SHIFTING LIMIT	UNDER 50% OF THE RATED ENGINE SPEED	
OIL COOLER	WATER FLOW 60 ~ 80 L/min	TEMPERATURE OF COOLING WATER MAX 32°C
OPERATING TORQUE OF SHIFTING LEVER	UNDER 2.94Nm	



REMARK
1. HOUSING: SAE#0
2. DRIVING RING: SAE 14"
3. COUPLING TYPE
-CENTA Flex Coupling 77268803

TOLERANCE ON				PART NO.		PART NAME		QTY		MATERIAL		SIZE		REMARKS	
분수	소수	각도	각도	분수	소수	분수	소수	분수	소수	분수	소수	분수	소수	분수	소수
±	±	±	±	±	±	±	±	±	±	±	±	±	±	±	±
1	0.05	0.1	0.05	0.05	0.1	0.05	0.1	0.05	0.1	0.05	0.1	0.05	0.1	0.05	0.1
4	0.1	0.2	0.1	0.1	0.2	0.1	0.2	0.1	0.2	0.1	0.2	0.1	0.2	0.1	0.2
16	0.2	0.3	0.2	0.2	0.3	0.2	0.3	0.2	0.3	0.2	0.3	0.2	0.3	0.2	0.3
63	0.3	0.5	0.3	0.3	0.5	0.3	0.5	0.3	0.5	0.3	0.5	0.3	0.5	0.3	0.5
250	0.5	0.8	0.5	0.5	0.8	0.5	0.8	0.5	0.8	0.5	0.8	0.5	0.8	0.5	0.8

DATE	2018.09.12	SCALE	1/1
APPROVED BY	JK.Kim	CHECKED BY	TH.Cha
DRAWN	GH.Park	DESIGNED	
TYPE			
DMT260HL			
NAME			
MARINE TRANSMISSION			
DWG. NO.			
26000GA~C-014CFR			
REV.			
000			
D-I INDUSTRIAL		A 8	
SIZE		CODE ID. NO.	