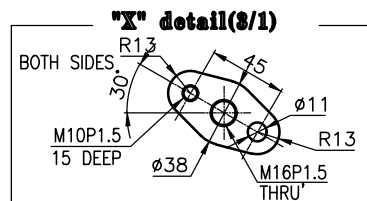
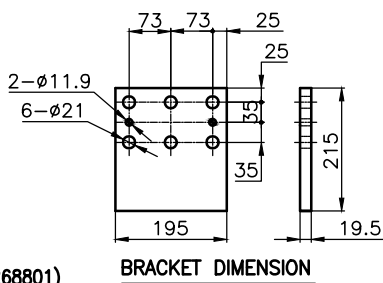
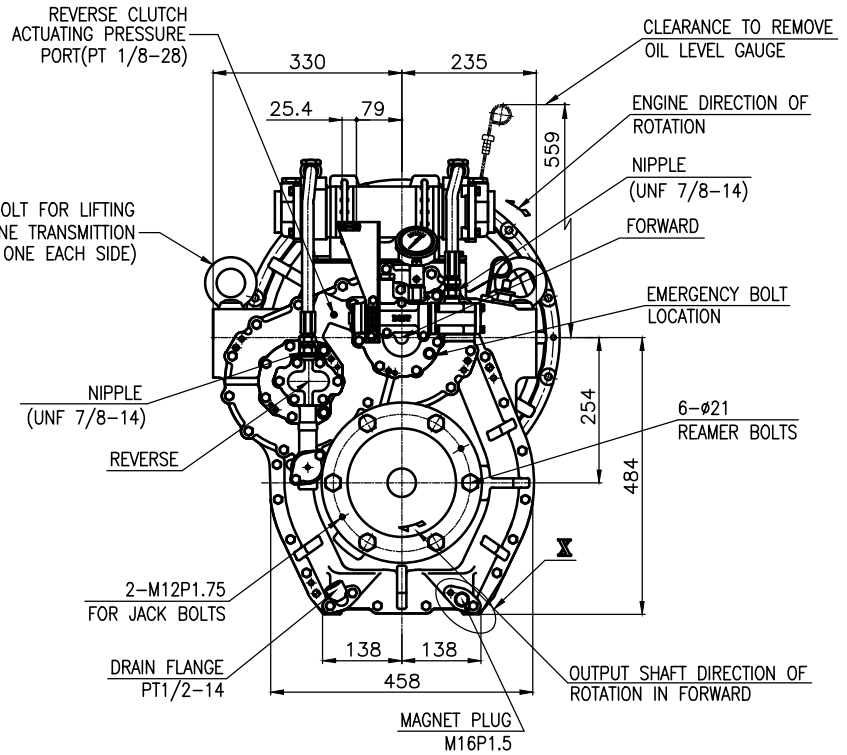
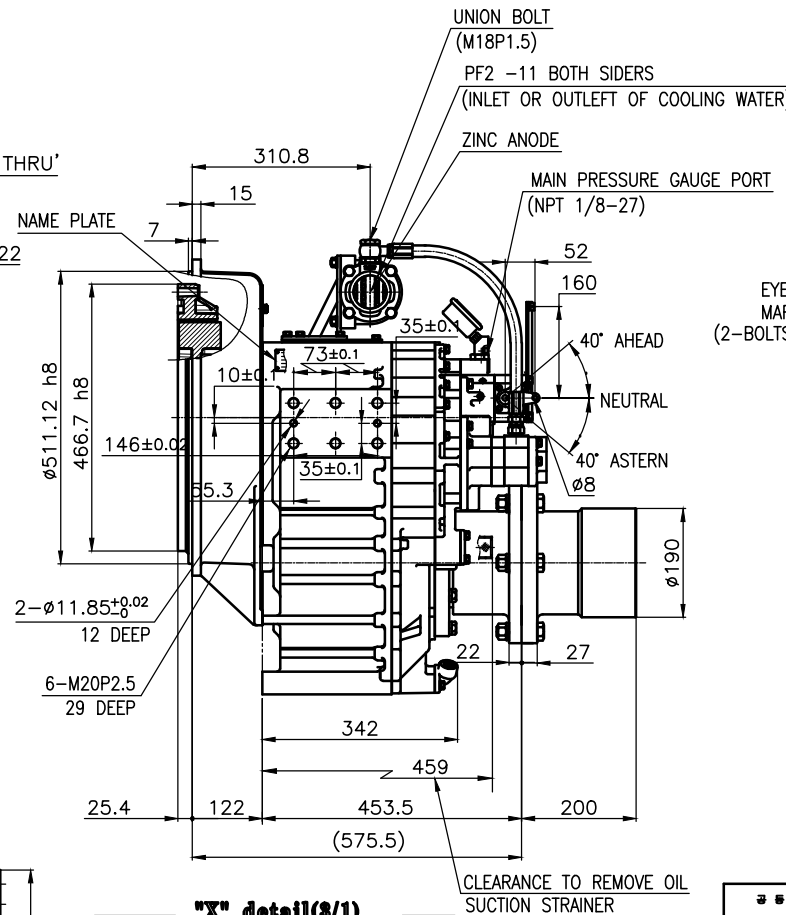
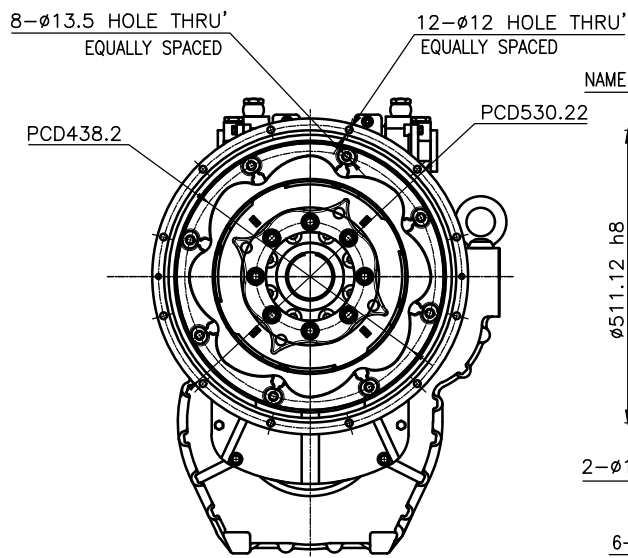


DMT280H MARINE TRANSMISSION SPECIFICATION		
GEAR RATIO	2.06, 2.50, 2.92, 3.26	
TOTAL WEIGHT	APPROX. 490 Kg(DRY)	
OIL CAPACITY	APPROX. 8 L	
OIL VISCOSITY	SAE # 30	
OIL PRESSURE	1.96 ~ 2.54 MPa	CLUTCH OIL
DIRECTION OF ROTATION IN FORWARD	INPUT	C.C.W VIEWED FROM THE STERN
	OUTPUT	C.W VIEWED FROM THE STERN
OIL CHANGE INTERVAL	THE FIRST 100HOURS OF INITIAL OPERATION AND EVERY 1000HOURS THEREAFTER	
SHIFTING LIMIT	UNDER 50% OF THE RATED ENGINE SPEED	
OIL COOLER	WATER FLOW 60 ~ 80 L/min	TEMPERATURE OF COOLING WATER MAX 32°C
OPERATING TORQUE OF SHIFTING LEVER	UNDER 2.94Nm	



REMARK  
1. HOUSING: SAE#1  
2. DRIVING RING: SAE 14"  
3. COUPLING TYPE  
CENTA Flex Coupling (77268801)

공용차	TOLERANCE ON	번호	PART NO.	PART NAME	수량	재질	규격	비고	
분수	소수	각도	MATERIAL						형식
FRACTIONS	DECIMALS	ANGLES	DATE 2018.09.12						SCALE 1/1
±	±	±	APPROVED BY	CHECKED BY	DESIGNED BY	TYPE DMT280H			
±	±	±	JK.Kim TH.Cha GH.Park			NAME MARINE TRANSMISSION			
±	±	±	DWG. NO. 28000GA~D-114CFR			REV. 000			
±	±	±	D-I INDUSTRIAL			CODE ID. NO.			