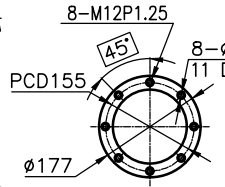
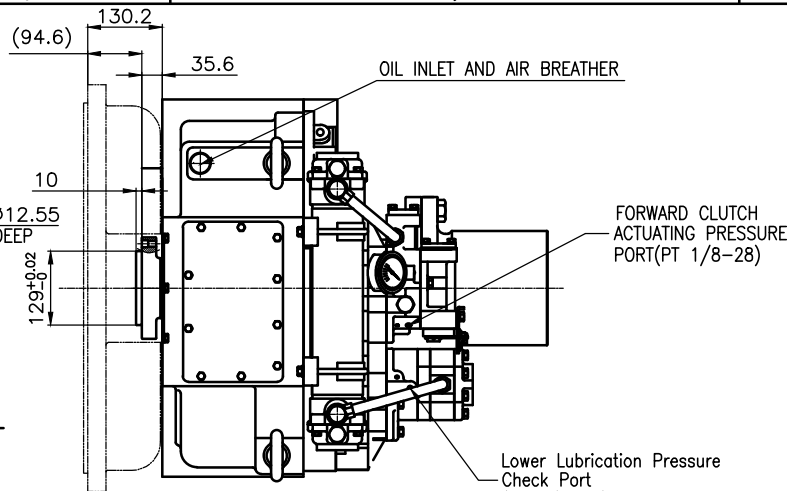


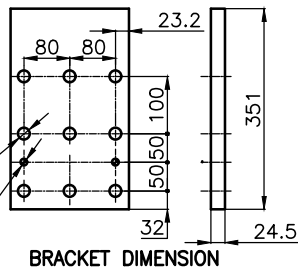
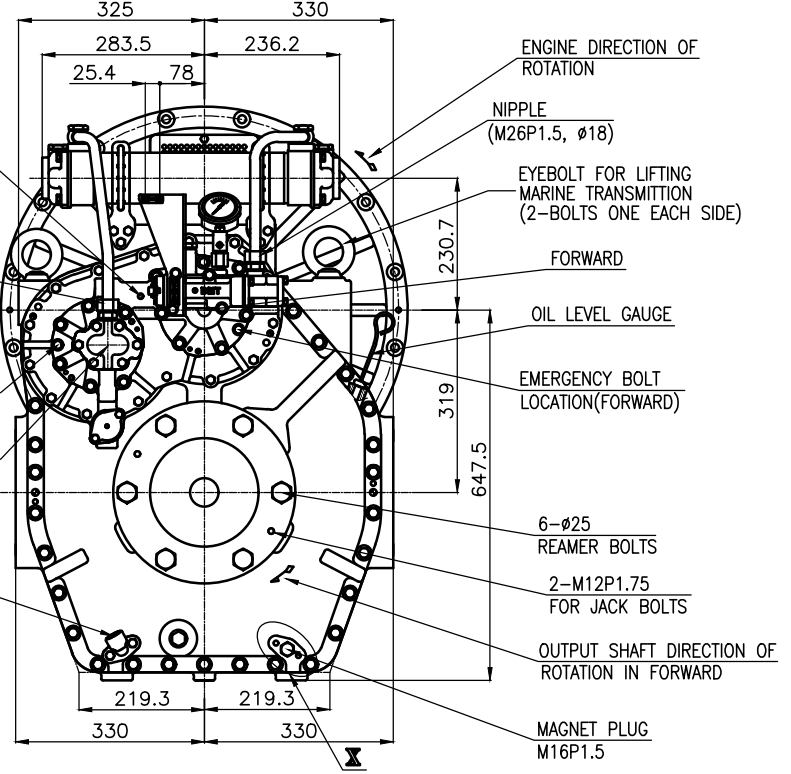
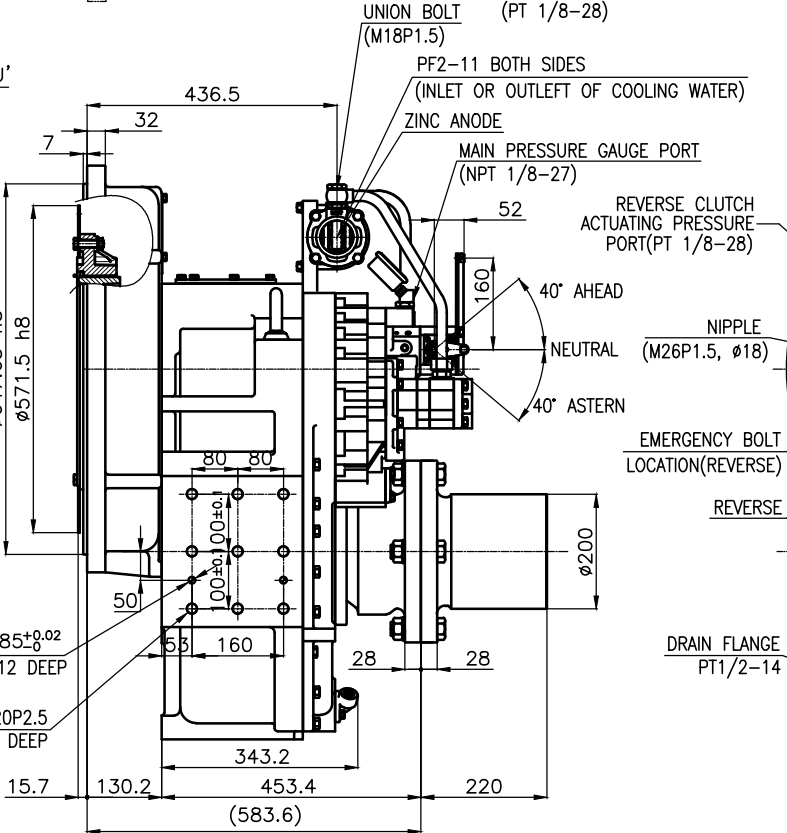
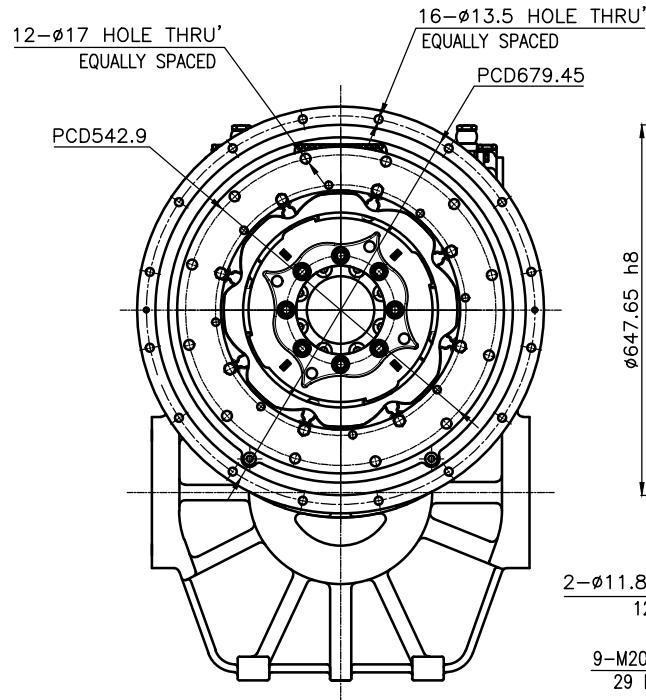
OUTPUT SHAFT COUPLING & PROPELLER COUPLING DIMENSION



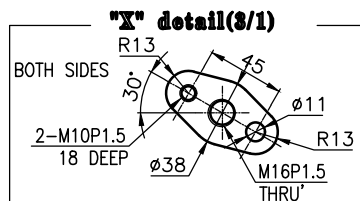
INPUT COUPLING DIMENSION



| DMT300HL MARINE TRANSMISSION SPECIFICATION | | |
|--|--|-----------------------------|
| GEAR RATIO | 2.61, 3.10, 3.56, 4.13, 4.59 | |
| TOTAL WEIGHT | APPROX. 847 Kg(DRY) | |
| OIL CAPACITY | APPROX. 16.5 L | |
| OIL VISCOSITY | SAE #30 | |
| OIL PRESSURE | 1.96 ~ 2.54 MPa | CLUTCH OIL |
| DIRECTION OF ROTATION | INPUT | C.C.W VIEWED FROM THE STERN |
| | OUTPUT | C.W VIEWED FROM THE STERN |
| OIL CHANGE INTERVAL | THE FIRST 100HOURS OF INITIAL OPERATION AND EVERY 1000HOURS THEREAFTER | |
| SHIFTING LIMIT | UNDER 50% OF THE RATED ENGINE SPEED | |
| OIL COOLER | WATER FLOW | 90 ~ 120L/m |
| | TEMPERATURE OF COOLING WATER | MAX 32° |
| OPERATING TORQUE OF SHIFTING LEVER | UNDER 2.94Nm | |



BRACKET DIMENSION



REMARK
 1. HOUSING : SAE# 0
 2. DRIVING RING : SAE 18"
 3. COUPLING TYPE
 -CENTA Flex Coupling : 77268802

| 공용규격 | TOLERANCE ON | 번호 | PART NO. | 명 | 개수 | 재질 | 규격 | 비고 |
|----------------------------|--------------|----|-----------|---|---------------------|----------|------|-------------------|
| FRACTIONS | DECIMALS | 각도 | PART NAME | | TYPE | MATERIAL | SIZE | REMARKS |
| ± | ± | ± | | | 형식 | | | 원도번호 |
| | | | | | DMT300HL | | | ORIGINAL DWG. NO. |
| 1. 호칭 2. 품명 3. 품명 | | | | | MARINE TRANSMISSION | | | |
| 4. 호칭 5. 품명 6. 품명 | | | | | 30000GA~E-018CFR | | | |
| 7. 호칭 8. 품명 9. 품명 | | | | | 000 | | | |
| 10. 호칭 11. 품명 12. 품명 | | | | | D-I INDUSTRIAL | | | |
| 13. 호칭 14. 품명 15. 품명 | | | | | A 8 | | | |
| 16. 호칭 17. 품명 18. 품명 | | | | | CODE ID. NO. | | | |