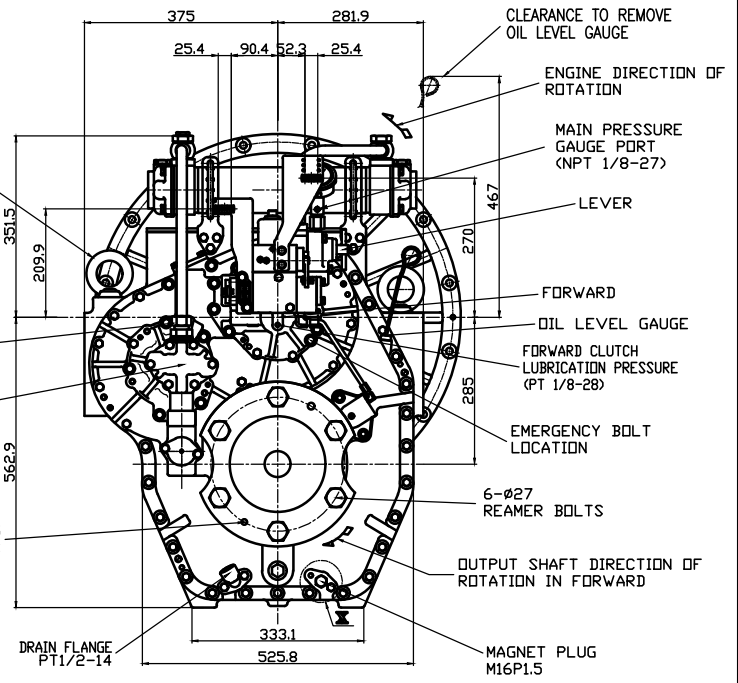
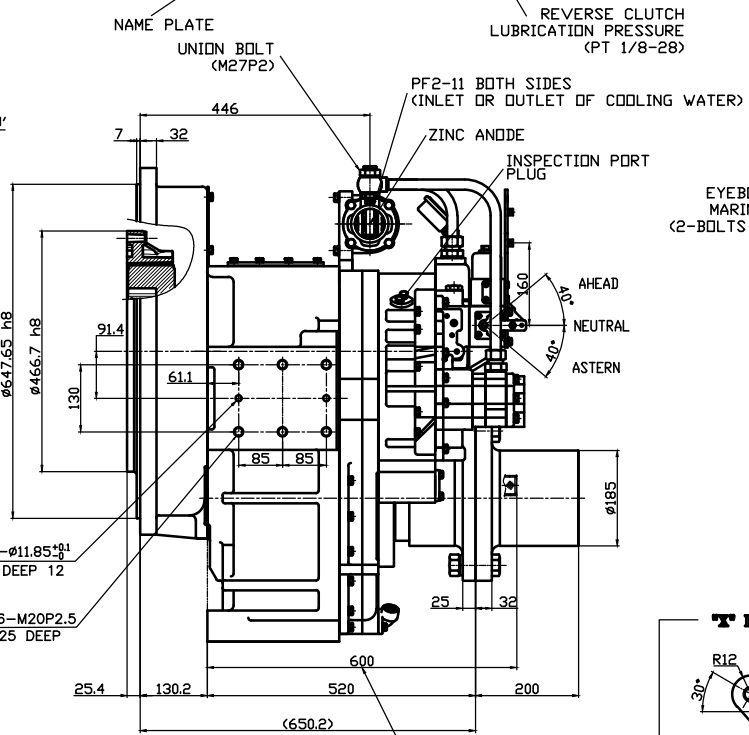
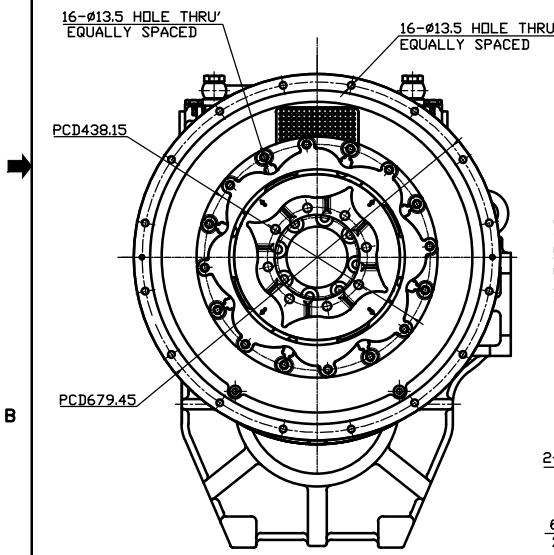
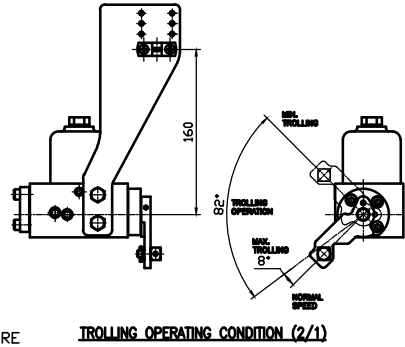
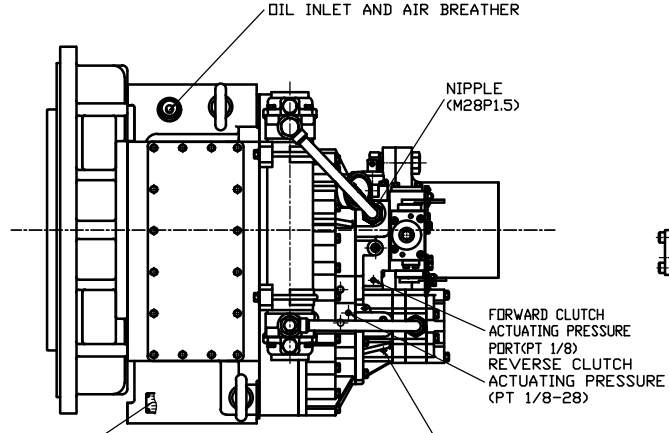
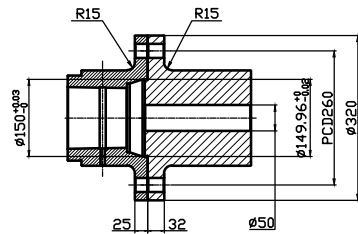
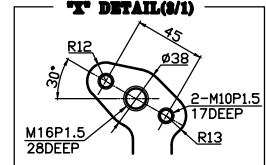
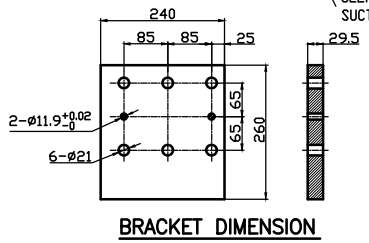


DMT430H MARINE TRANSMISSION SPECIFICATION	
GEAR RATIO	2.06, 2.44, 2.93, 3.23, 3.40
TOTAL WEIGHT	APPROX. 809Kg(DRY) (DRY, EXCEPT FOR PROPELLER COUPLING)
OIL CAPACITY	APPROX. 11L
OIL VISCOSITY	SAE # 30
OIL PRESSURE	1.96 ~ 2.54 MPa
DIRECTION OF ROTATION	INPUT C.C.W VIEWED FROM THE STERN OUTPUT C.W VIEWED FROM THE STERN
OIL CHANGE INTERVAL	THE FIRST 100HOURS OF INITIAL OPERATION AND EVERY 1000HOURS THEREAFTER
SHIFTING LIMIT	UNDER 50% OF THE RATED ENGINE SPEED
OIL COOLER	WATER FLOW 90 ~ 120L/m TEMPERATURE OF COOLING WATER MAX 32°C
OPERATING TORQUE OF SHIFTING LEVER	UNDER 2.94Nm



- REMARK
- HOUSING : SAE# 0
 - DRIVING RING : SAE 14"
 - COULING TYPE
- CENTA Flex Coupling : 77318804



제품 HS Code	제품 HS Code	중량 KG
규격 SIZE	중량 Weight	

공용공차	TOLERANCE ON	번호	PART NO.	PART NAME	개수	재질	규격	비고
분수	소수	각도	REMARKS					
±	±	±	ORIGINAL DWG. NO.					
1/100	0.05	0.1	DMT430H					
1/200	0.1	0.2	MARINE TRANSMISSION					
1/500	0.2	0.3	430DTGHA~E-014CFR					
1/1000	0.3	0.5	KC.YUN					
1/2000	0.5	0.8	A0					

