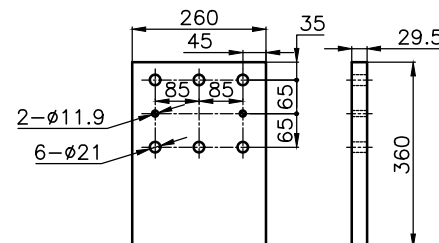
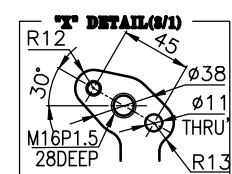
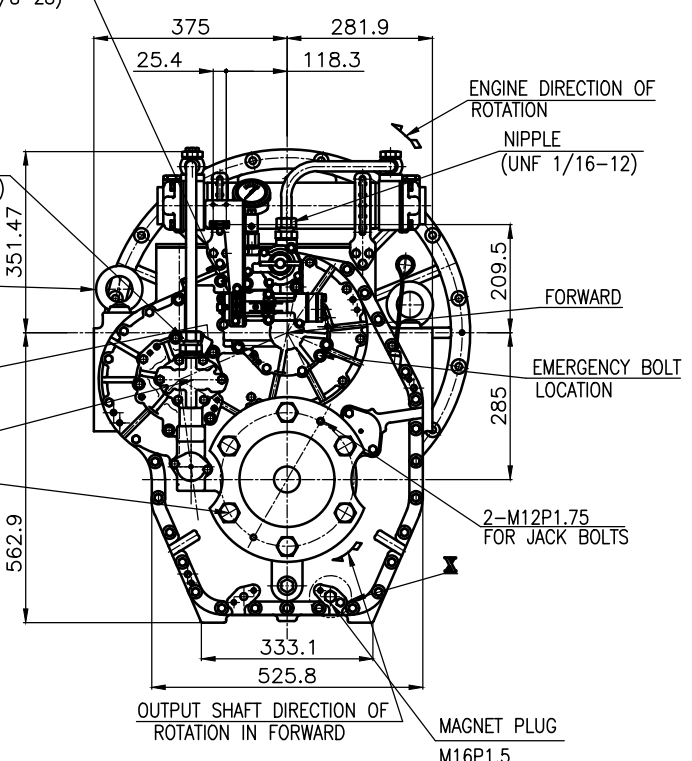
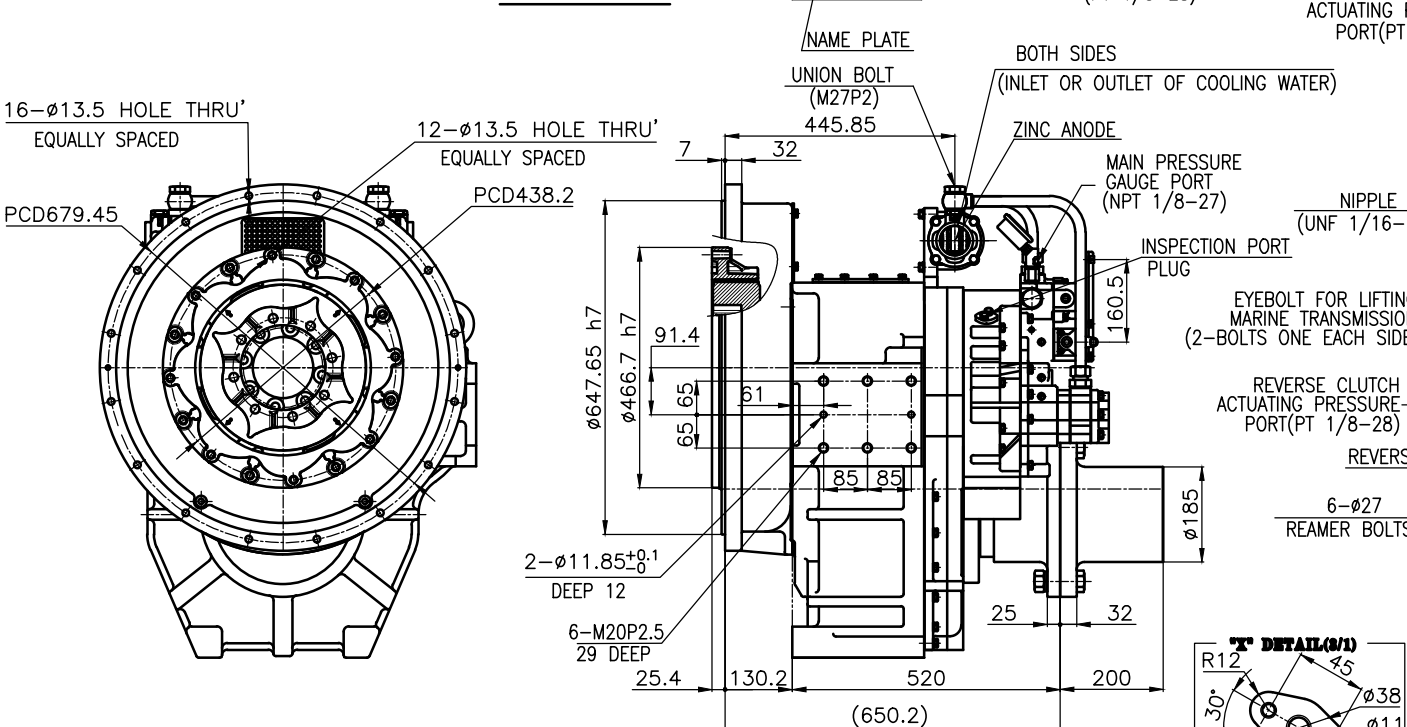
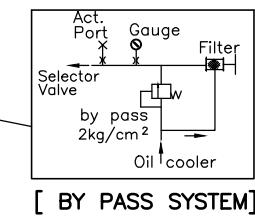
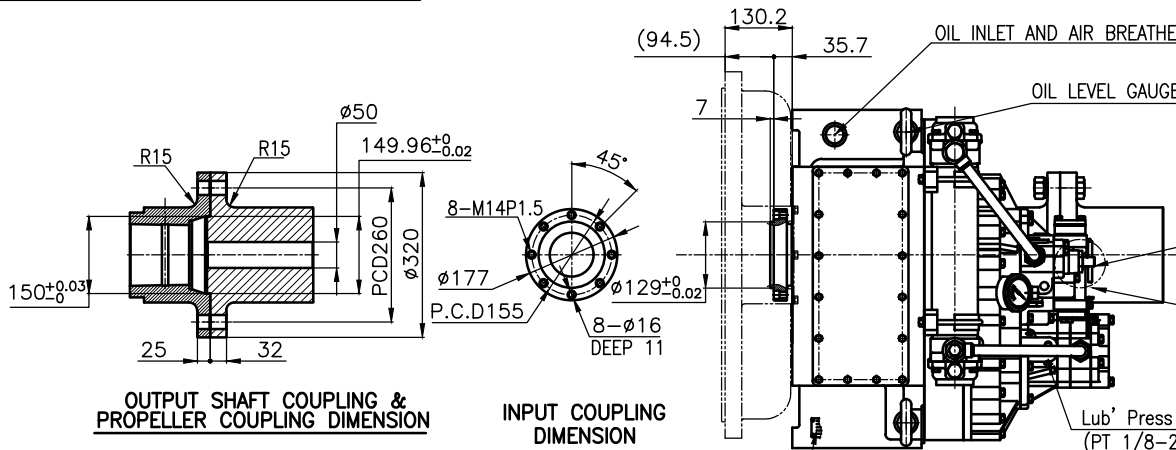


DMT430H MARINE TRANSMISSION SPECIFICATION			
GEAR RATIO	2.06, 2.44, 2.93, 3.23, 3.4		
TOTAL WEIGHT	APPROX. 694Kg(DRY)		
OIL CAPACITY	APPROX. 11L		
OIL VISCOSITY	SAE # 30		
OIL PRESSURE	1.96 ~ 2.54 MPa	CLUTCH OIL	
DIRECTION OF ROTATION	INPUT	C.C.W VIEWED FROM THE STERN	
	OUTPUT	C.W VIEWED FROM THE STERN	
OIL CHANGE INTERVAL	THE FIRST 100HOURS OF INITIAL OPERATION AND EVERY 1000HOURS THEREAFTER		
SHIFTING LIMIT	UNDER 50% OF THE RATED ENGINE SPEED		
OIL COOLER	WATER FLOW 90 ~ 120L/m	TEMPERATURE OF COOLING WATER MAX 32°C	
OPERATING TORQUE OF SHIFTING LEVER	UNDER 2.94Nm		



- REMARK**
- HOUSING : SAE# 0
 - DRIVING RING : SAE 14"
 - COUPLING TYPE
- CENTA Flex Coupling : 77318804

공용공차	TOLERANCE ON	번호	PART NO.	PART NAME	개수	재질	규격	비고
분수	소수	각도			TYPE	REMARKS		
±	±	±			DMT430H	ORIGINAL DWG. NO.		
1/16	0.015	30°			TYPE	DMT430H		
1/32	0.0075	45°			NAME	MARINE TRANSMISSION		
1/64	0.00375				DWG. NO.	43000GA~E-014CFR		
0.0015	0.0015				SIZE	A0		
0.00075	0.00075				CODE ID. NO.			

제 품 HS Code	재 HS Code	중 량 Weight	694 KG
규 격 S I Z E			

D-I INDUSTRIAL