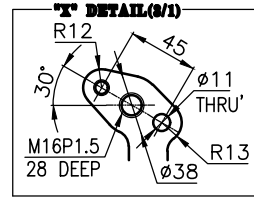
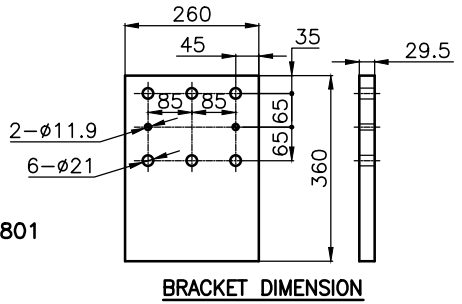
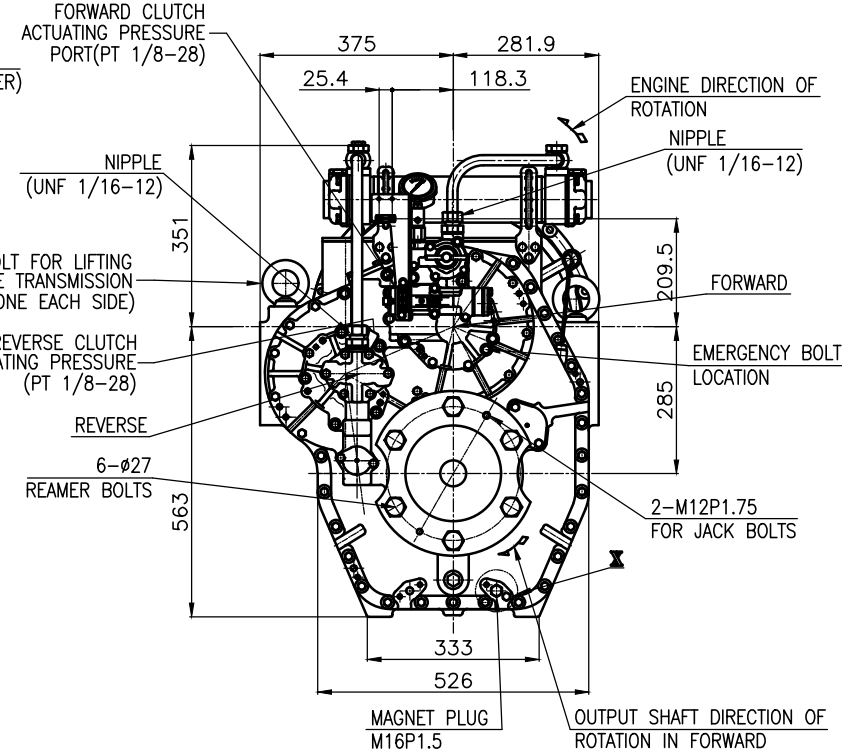
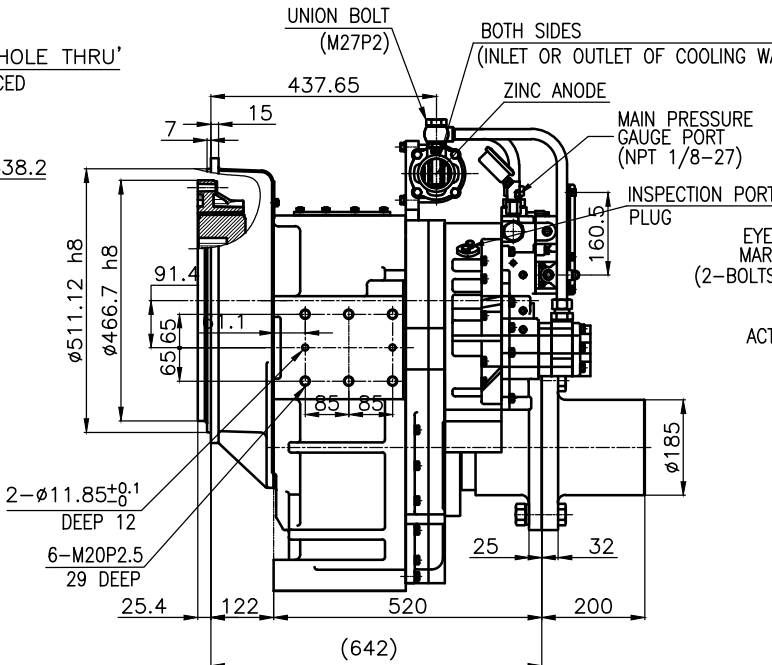
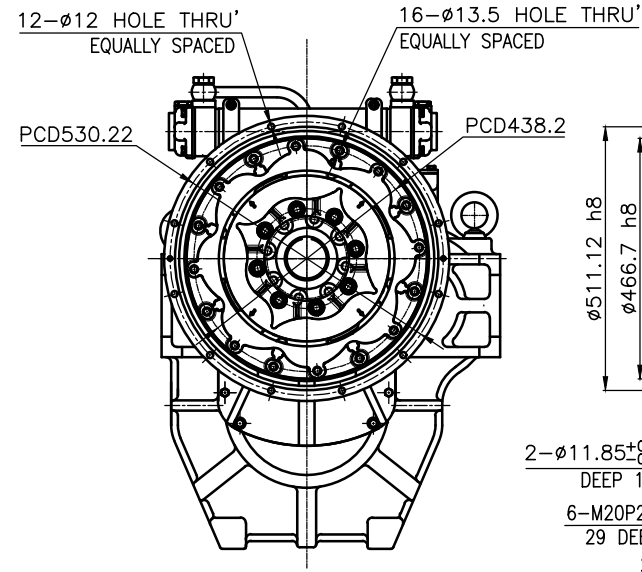


DMT430H MARINE TRANSMISSION SPECIFICATION	
GEAR RATIO	2.06, 2.44, 2.93, 3.23, 3.4
TOTAL WEIGHT	APPROX. 694Kg(DRY)
OIL CAPACITY	APPROX. 11L
OIL VISCOSITY	SAE # 30
OIL PRESSURE	1.96 ~ 2.54 MPa CLUTCH OIL
DIRECTION OF ROTATION	INPUT C.C.W VIEWED FROM THE STERN
IN FORWARD	OUTPUT C.W VIEWED FROM THE STERN
OIL CHANGE INTERVAL	THE FIRST 100HOURS OF INITIAL OPERATION AND EVERY 1000HOURS THEREAFTER
SHIFTING LIMIT	UNDER 50% OF THE RATED ENGINE SPEED
OIL COOLER	WATER FLOW 90 ~ 120L/m
	TEMPERATURE OF COOLING WATER MAX 32°C
OPERATING TORQUE OF SHIFTING LEVER	UNDER 2.94Nm



- REMARK**
- HOUSING : SAE# 1
 - DRIVING RING : SAE 14"
 - COUPLING TYPE
- CENTA Flex Coupling : 77318801

TOLERANCE ON		PART NO.		PART NAME		QTY	MATERIAL	SIZE	REMARKS
FRACTIONS	DECIMALS	ANGLE							
±	±	±							
CHECKING TABLE		DATE		SCALE		TYPE		ORIGINAL DWG. NO.	
1.00 ~ 4.00		2018.09.12		1/1		DMT430H			
4.00 ~ 16.00		APPROVED BY		CHECKED BY		NAME		MARINE TRANSMISSION	
16.00 ~ 63.00		JK.Kim		TH.Cha		GH.Park		DWG. NO.	
63.00 ~ 250.00		DRAWN		DESIGNED		43000GA~E-114CFR			
250.00 ~ 1000.00		SIZE		CODE ID. NO.		A0			
		D-I INDUSTRIAL							