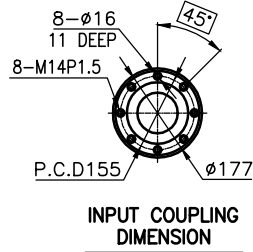
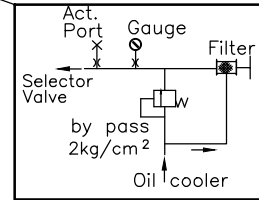
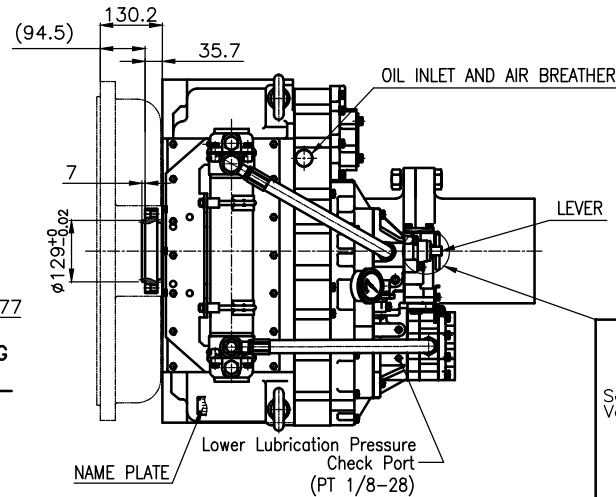


OUTPUT SHAFT COUPLING & PROPELLER COUPLING DIMENSION

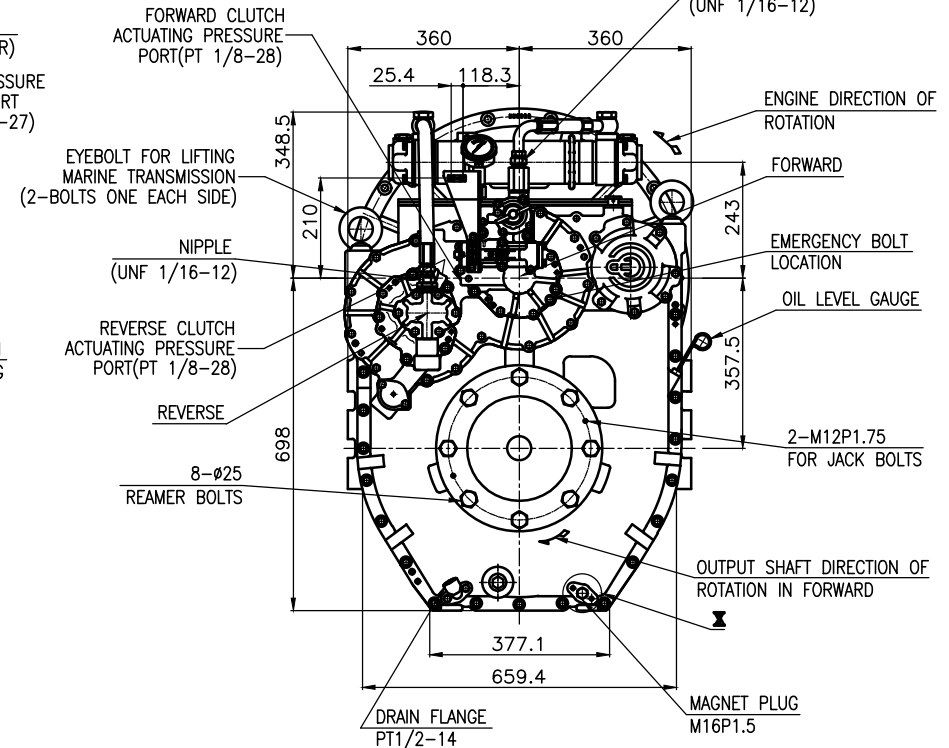
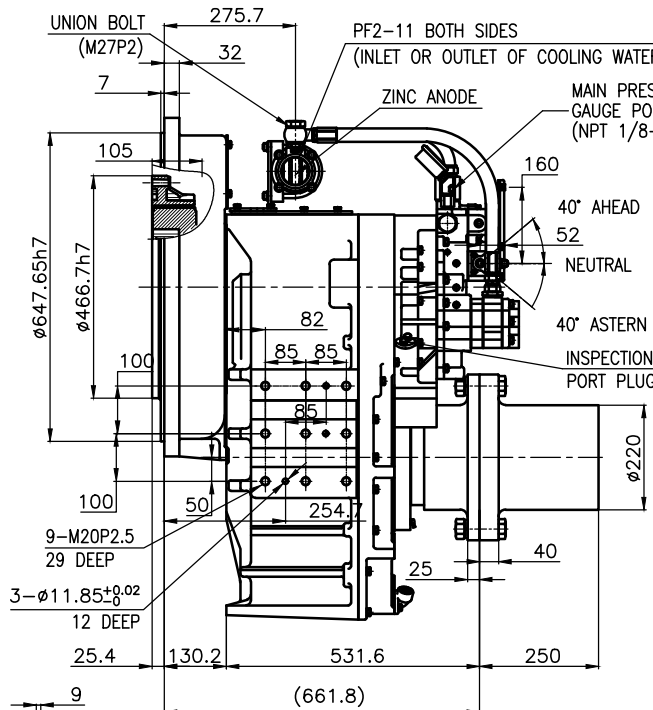
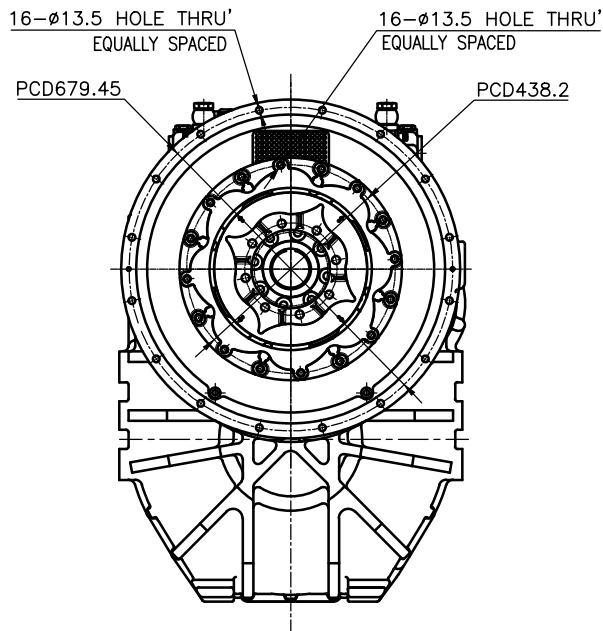


INPUT COUPLING DIMENSION

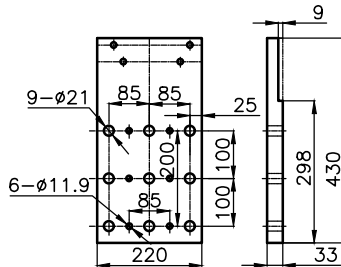


[BY PASS SYSTEM]

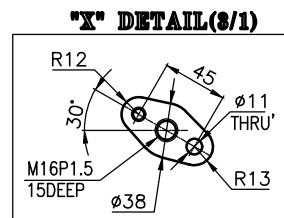
DMT460HL MARINE TRSANMISSION SPECIFICATION			
GEAR RATIO	3.02, 3.28, 3.56, 4.07, 4.48, 4.95		
TOTAL WEIGHT	APPROX. 1005 Kg(DRY)		
OIL CAPACITY	APPROX. 18 L		
OIL VISCOSITY	SAE # 30		
OIL PRESSURE	1.96 ~ 2.54 MPa	CLUTCH OIL	
DIRECTION OF ROTATION	INPUT	C.C.W VIEWED FROM THE STERN	
	OUTPUT	C.W VIEWED FROM THE STERN	
OIL CHANGE INTERVAL	THE FIRST 100HOURS OF INITIAL OPERATION AND EVERY 1000HOURS THEREAFTER		
SHIFTING LIMIT	UNDER 50% OF THE RATED ENGINE SPEED		
OIL COOLER	WATER FLOW 90 ~ 120 L/min	TEMPERATURE OF COOLING WATER MAX 32°C	
OPERATING TORQUE OF SHIFTING LEVER	UNDER 2.94Nm		



REMARK
 1. HOUSING : SAE# 0
 2. DRIVING RING : SAE 14"
 3. COUPLING TYPE
 CENTA Flex Coupling (77318804)



BRACKET DIMENSION



TOLERANCE ON				번호	품	명	개수	재	입	구	비	고
FRACTIONS				NO.	PART NO.	PART NAME	Q'TY	MATERIAL	SIZE	REMARKS	고	고
DECIMALS												
ANGLES												
±												
MATERIAL				DATE		SCALE		TYPE		DMT460HL		
APPROVED BY				2018.09.12		N/S		NAME		MARINE TRANSMISSION		
CHECKED BY				GH.Park		DESIGNED		DWG. NO.		46000GH~F-014CFR		
DRAWN				JK.Kim		TH.Cha		DWG. NO.		000		
DESIGNED				JK.Kim		TH.Cha		DWG. NO.		000		
DRAWN				JK.Kim		TH.Cha		DWG. NO.		000		
DESIGNED				JK.Kim		TH.Cha		DWG. NO.		000		
DRAWN				JK.Kim		TH.Cha		DWG. NO.		000		
DESIGNED				JK.Kim		TH.Cha		DWG. NO.		000		
DRAWN				JK.Kim		TH.Cha		DWG. NO.		000		
DESIGNED				JK.Kim		TH.Cha		DWG. NO.		000		
DRAWN				JK.Kim		TH.Cha		DWG. NO.		000		
DESIGNED				JK.Kim		TH.Cha		DWG. NO.		000		
DRAWN				JK.Kim		TH.Cha		DWG. NO.		000		
DESIGNED				JK.Kim		TH.Cha		DWG. NO.		000		
DRAWN				JK.Kim		TH.Cha		DWG. NO.		000		
DESIGNED				JK.Kim		TH.Cha		DWG. NO.		000		
DRAWN				JK.Kim		TH.Cha		DWG. NO.		000		
DESIGNED				JK.Kim		TH.Cha		DWG. NO.		000		
DRAWN				JK.Kim		TH.Cha		DWG. NO.		000		
DESIGNED				JK.Kim		TH.Cha		DWG. NO.		000		
DRAWN				JK.Kim		TH.Cha		DWG. NO.		000		
DESIGNED				JK.Kim		TH.Cha		DWG. NO.		000		
DRAWN				JK.Kim		TH.Cha		DWG. NO.		000		
DESIGNED				JK.Kim		TH.Cha		DWG. NO.		000		
DRAWN				JK.Kim		TH.Cha		DWG. NO.		000		
DESIGNED				JK.Kim		TH.Cha		DWG. NO.		000		
DRAWN				JK.Kim		TH.Cha		DWG. NO.		000		
DESIGNED				JK.Kim		TH.Cha		DWG. NO.		000		
DRAWN				JK.Kim		TH.Cha		DWG. NO.		000		
DESIGNED				JK.Kim		TH.Cha		DWG. NO.		000		
DRAWN				JK.Kim		TH.Cha		DWG. NO.		000		
DESIGNED				JK.Kim		TH.Cha		DWG. NO.		000		
DRAWN				JK.Kim		TH.Cha		DWG. NO.		000		
DESIGNED				JK.Kim		TH.Cha		DWG. NO.		000		
DRAWN				JK.Kim		TH.Cha		DWG. NO.		000		
DESIGNED				JK.Kim		TH.Cha		DWG. NO.		000		
DRAWN				JK.Kim		TH.Cha		DWG. NO.		000		
DESIGNED				JK.Kim		TH.Cha		DWG. NO.		000		
DRAWN				JK.Kim		TH.Cha		DWG. NO.		000		
DESIGNED				JK.Kim		TH.Cha		DWG. NO.		000		
DRAWN				JK.Kim		TH.Cha		DWG. NO.		000		
DESIGNED				JK.Kim		TH.Cha		DWG. NO.		000		
DRAWN				JK.Kim		TH.Cha		DWG. NO.		000		
DESIGNED				JK.Kim		TH.Cha		DWG. NO.		000		
DRAWN				JK.Kim		TH.Cha		DWG. NO.		000		
DESIGNED				JK.Kim		TH.Cha		DWG. NO.		000		
DRAWN				JK.Kim		TH.Cha		DWG. NO.		000		
DESIGNED				JK.Kim		TH.Cha		DWG. NO.		000		
DRAWN				JK.Kim		TH.Cha		DWG. NO.		000		
DESIGNED				JK.Kim		TH.Cha		DWG. NO.		000		
DRAWN				JK.Kim		TH.Cha		DWG. NO.		000		
DESIGNED				JK.Kim		TH.Cha		DWG. NO.		000		
DRAWN				JK.Kim		TH.Cha		DWG. NO.		000		
DESIGNED				JK.Kim		TH.Cha		DWG. NO.		000		
DRAWN				JK.Kim		TH.Cha		DWG. NO.		000		
DESIGNED				JK.Kim		TH.Cha		DWG. NO.		000		
DRAWN				JK.Kim		TH.Cha		DWG. NO.		000		
DESIGNED				JK.Kim		TH.Cha		DWG. NO.		000		
DRAWN				JK.Kim		TH.Cha		DWG. NO.		000		
DESIGNED				JK.Kim		TH.Cha		DWG. NO.		000		
DRAWN				JK.Kim		TH.Cha		DWG. NO.		000		
DESIGNED				JK.Kim		TH.Cha		DWG. NO.		000		
DRAWN				JK.Kim		TH.Cha		DWG. NO.		000		
DESIGNED				JK.Kim		TH.Cha		DWG. NO.		000		
DRAWN				JK.Kim		TH.Cha		DWG. NO.		000		
DESIGNED				JK.Kim		TH.Cha		DWG. NO.		000		
DRAWN				JK.Kim		TH.Cha		DWG. NO.		000		
DESIGNED				JK.Kim		TH.Cha		DWG. NO.		000		
DRAWN				JK.Kim		TH.Cha		DWG. NO.		000		
DESIGNED				JK.Kim		TH.Cha		DWG. NO.		000		
DRAWN				JK.Kim		TH.Cha		DWG. NO.		000		
DESIGNED				JK.Kim		TH.Cha		DWG. NO.		000		
DRAWN				JK.Kim		TH.Cha		DWG. NO.		000		
DESIGNED				JK.Kim		TH.Cha		DWG. NO.		000		
DRAWN				JK.Kim		TH.Cha		DWG. NO.		000		
DESIGNED				JK.Kim		TH.Cha		DWG. NO.		000		
DRAWN				JK.Kim		TH.Cha		DWG. NO.		000		
DESIGNED				JK.Kim		TH.Cha		DWG. NO.		000		
DRAWN				JK.Kim		TH.Cha		DWG. NO.		000		
DESIGNED				JK.Kim		TH.Cha		DWG. NO.		000		
DRAWN				JK.Kim		TH.Cha		DWG. NO.		000		
DESIGNED				JK.Kim		TH.Cha		DWG. NO.		000		
DRAWN				JK.Kim		TH.Cha		DWG. NO.		000		
DESIGNED				JK.Kim		TH.Cha		DWG. NO.		000		
DRAWN				JK.Kim		TH.Cha		DWG. NO.		000		
DESIGNED				JK.Kim		TH.Cha		DWG. NO.		000		
DRAWN				JK.Kim		TH.Cha		DWG. NO.		000		
DESIGNED				JK.Kim		TH.Cha		DWG. NO.		000		
DRAWN				JK.Kim		TH.Cha		DWG. NO.		000		
DESIGNED				JK.Kim		TH.Cha		DWG. NO.		000		
DRAWN				JK.Kim		TH.Cha		DWG. NO.		000		
DESIGNED				JK.Kim		TH.Cha		DWG. NO.		000		
DRAWN				JK.Kim		TH.Cha		DWG. NO.		000		
DESIGNED				JK.Kim		TH.Cha		DWG. NO.		000		
DRAWN				JK.Kim		TH.Cha		DWG. NO.		000		
DESIGNED				JK.Kim		TH.Cha		DWG. NO.		000		
DRAWN				JK.Kim		TH.Cha		DWG. NO.		000		
DESIGNED				JK.Kim		TH.Cha		DWG. NO.		000		
DRAWN				JK.Kim		TH.Cha		DWG. NO.		000		
DESIGNED				JK.Kim		TH.Cha		DWG. NO.		000		
DRAWN				JK.Kim		TH.Cha		DWG. NO.		000		
DESIGNED				JK.Kim		TH.Cha		DWG. NO.		000		
DRAWN				JK.Kim		TH.Cha		DWG. NO.		000		
DESIGNED				JK.Kim		TH.Cha		DWG. NO.		000		
DRAWN				JK.Kim		TH.Cha		DWG. NO.		000		
DESIGNED				JK.Kim		TH.Cha		DWG. NO.		000		
DRAWN				JK.Kim		TH.Cha		DWG. NO.		000		
DESIGNED				JK.Kim		TH.Cha		DWG. NO.		000		
DRAWN				JK.Kim		TH.Cha		DWG. NO.		000		
DESIGNED				JK.Kim		TH.Cha		DWG. NO.		000		
DRAWN				JK.Kim		TH.Cha		DWG. NO.		000		
DESIGNED				JK.Kim		TH.Cha		DWG. NO.		000		
DRAWN				JK.Kim		TH.Cha		DWG. NO.		000		
DESIGNED				JK.Kim		TH.Cha		DWG. NO.		000		
DRAWN				JK.Kim		TH.Cha		DWG. NO.		000		
DESIGNED				JK.Kim		TH.Cha		DWG. NO.		000		
DRAWN				JK.Kim		TH.Cha		DWG. NO.		000		
DESIGNED				JK.Kim		TH.Cha		DWG. NO.		000		
DRAWN				JK.Kim		TH.Cha		DWG. NO.		000		
DESIGNED				JK.Kim		TH.Cha		DWG. NO.		000		
DRAWN				JK.Kim		TH.Cha		DWG. NO.		000		
DESIGNED				JK.Kim		TH.Cha		DWG. NO.		000		
DRAWN				JK.Kim		TH.Cha		DWG. NO.		000		
DESIGNED				JK.Kim		TH.Cha		DWG. NO.		000		
DRAWN				JK.Kim		TH.Cha		DWG. NO.		000		
DESIGNED				JK.Kim		TH.Cha		DWG. NO.		000		
DRAWN				JK.Kim		TH.Cha		DWG. NO.		000		
DESIGNED				JK.Kim		TH.Cha		DWG. NO.		000		
DRAWN				JK.Kim		TH.Cha		DWG. NO.		000		
DESIGNED				JK.Kim		TH.Cha		DWG. NO.		000		
DRAWN				JK.Kim		TH.Cha		DWG. NO.		000		
DESIGNED				JK.Kim		TH.Cha		DWG. NO.		000		
DRAWN				JK.Kim		TH.Cha		DWG. NO.		000		
DESIGNED				JK.Kim		TH.Cha		DWG. NO.		000		
DRAWN				JK.Kim		TH.Cha		DWG. NO.		000		
DESIGNED				JK.Kim		TH.Cha		DWG. NO.		000		
DRAWN				JK.Kim		TH.Cha		DWG. NO.		000		
DESIGNED				JK.Kim		TH.Cha		DWG. NO.		000		
DRAWN				JK.Kim		TH.Cha		DWG. NO.		000		
DESIGNED				JK.Kim		TH.Cha		DWG. NO.		000		
DRAWN				JK.Kim		TH.Cha		DWG. NO.		000		
DESIGNED				JK.Kim		TH.Cha		DWG. NO.		000		
DRAWN				JK.Kim		TH.Cha		DWG. NO.		000		
DESIGNED				JK.Kim		TH.Cha		DWG. NO.		000		
DRAWN				JK.Kim		TH.Cha		DWG. NO.		000		
DESIGNED				JK.Kim		TH.Cha		DWG. NO.		000		
DRAWN				JK.Kim		TH.Cha		DWG. NO.		000		
DESIGNED				JK.Kim		TH.Cha		DWG. NO.		000		
DRAWN				JK.Kim		TH.Cha		DWG. NO.		000		
DESIGNED				JK.Kim		TH.Cha		DWG. NO.		000		
DRAWN				JK.Kim		TH.Cha		DWG. NO.		000		
DESIGNED				JK.Kim		TH.Cha		DWG. NO.		000		
DRAWN				JK.Kim		TH.Cha		DWG. NO.		000		
DESIGNED				JK.Kim		TH.Cha						