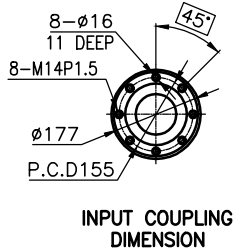
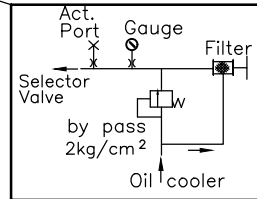
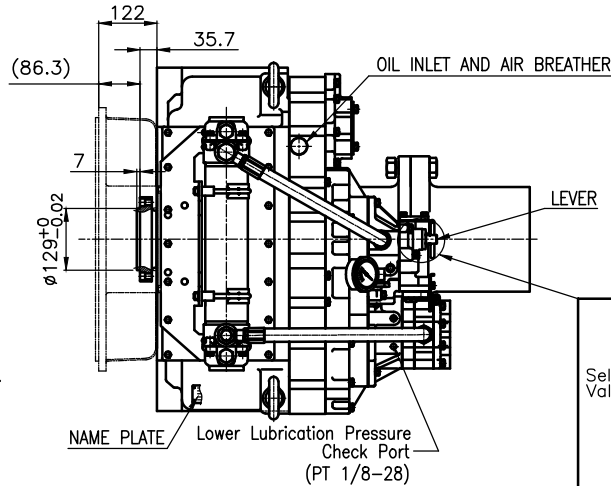


OUTPUT SHAFT COUPLING & PROPELLER COUPLING DIMENSION

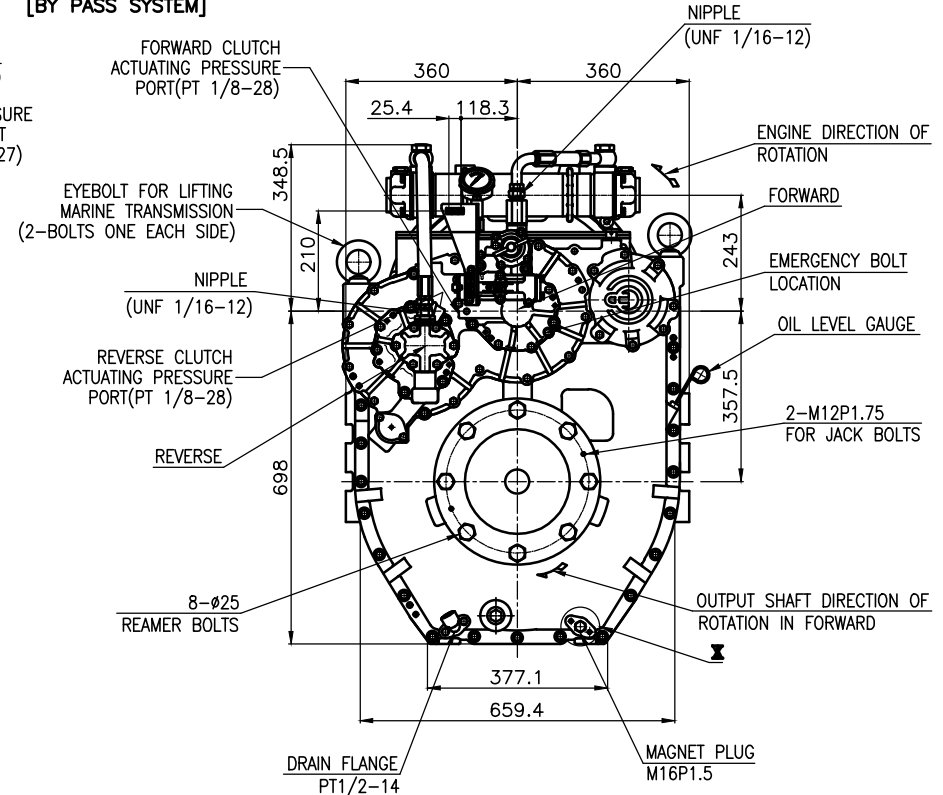
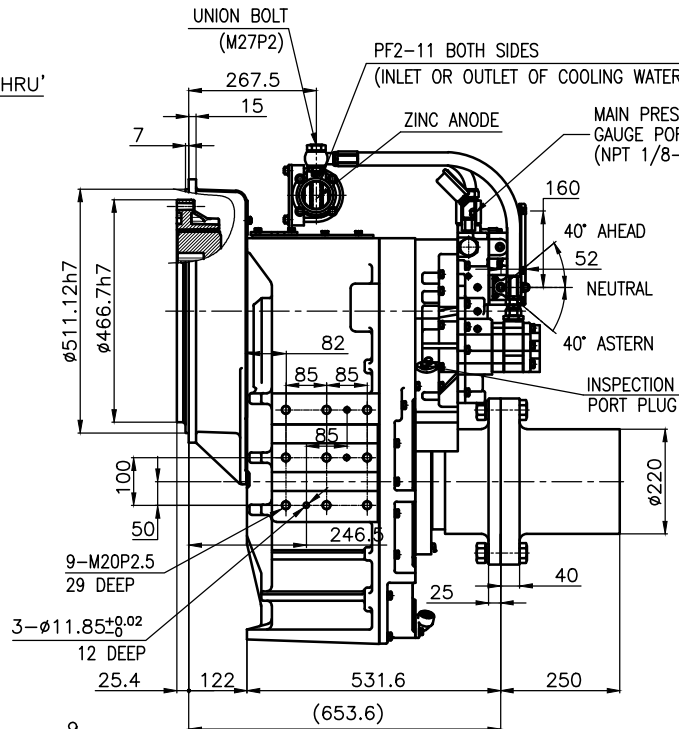
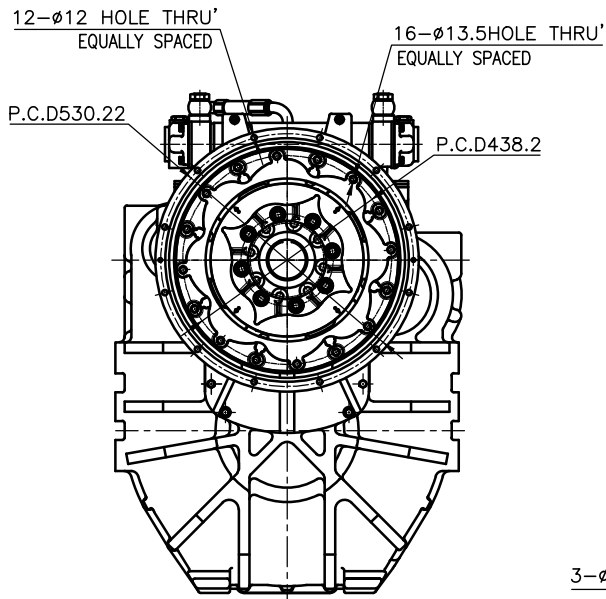


INPUT COUPLING DIMENSION

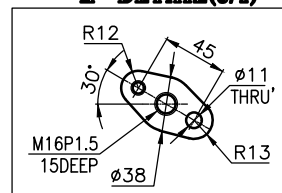


[BY PASS SYSTEM]

DMT460HL MARINE TRSANMISSION SPECIFICATION	
GEAR RATIO	3.02, 3.28, 3.56, 4.07, 4.48, 4.95
TOTAL WEIGHT	APPROX. 962 Kg(DRY)
OIL CAPACITY	APPROX. 18 L
OIL VISCOSITY	SAE # 30
OIL PRESSURE	1.96 ~ 2.54 MPa CLUTCH OIL
DIRECTION OF ROTATION	INPUT C.C.W VIEWED FROM THE STERN
IN FORWARD	OUTPUT C.W VIEWED FROM THE STERN
OIL CHANGE INTERVAL	THE FIRST 100HOURS OF INITIAL OPERATION AND EVERY 1000HOURS THEREAFTER
SHIFTING LIMIT	UNDER 50% OF THE RATED ENGINE SPEED
OIL COOLER	WATER FLOW 90 ~ 120 L/min
	TEMPERATURE OF COOLING WATER MAX 32°C
OPERATING TORQUE OF SHIFTING LEVER	UNDER 2.94Nm

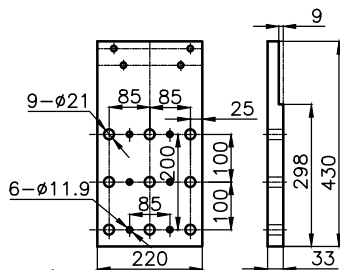


"X" DETAIL(3/1)



REMARK

- 1.HOUSING : SAE# 1
- 2.DRIVING RING : SAE 14"
- 3.COUPLING TYPE
CENTA Flex Coupling (77318801)



BRACKET DIMENSION

공통공차 TOLERANCE ON				번호 NO.	품명 PART NO.	명명 PART NAME	개수 QTY	재질 MATERIAL	규격 SIZE	비고 REMARKS
분수 FRACTIONS	소수 DECIMALS	각도 ANGLES	평면 FLATNESS	001	46000GHA~F-114CFR	DMT460HL				원도 번호 ORIGINAL DWG. NO.
±	±	±	±	002	2018.09.12	N/S				TYPE
±	±	±	±	003	2018.09.12	N/S				NAME
±	±	±	±	004	JK.Kim	TH.Cha	GH.Park			DWG. NO.
±	±	±	±	005						개량 (REV.)
±	±	±	±	006						000
±	±	±	±	007						
±	±	±	±	008						
±	±	±	±	009						
±	±	±	±	010						
±	±	±	±	011						
±	±	±	±	012						
±	±	±	±	013						
±	±	±	±	014						
±	±	±	±	015						
±	±	±	±	016						
±	±	±	±	017						
±	±	±	±	018						
±	±	±	±	019						
±	±	±	±	020						
±	±	±	±	021						
±	±	±	±	022						
±	±	±	±	023						
±	±	±	±	024						
±	±	±	±	025						
±	±	±	±	026						
±	±	±	±	027						
±	±	±	±	028						
±	±	±	±	029						
±	±	±	±	030						
±	±	±	±	031						
±	±	±	±	032						
±	±	±	±	033						
±	±	±	±	034						
±	±	±	±	035						
±	±	±	±	036						
±	±	±	±	037						
±	±	±	±	038						
±	±	±	±	039						
±	±	±	±	040						
±	±	±	±	041						
±	±	±	±	042						
±	±	±	±	043						
±	±	±	±	044						
±	±	±	±	045						
±	±	±	±	046						
±	±	±	±	047						
±	±	±	±	048						
±	±	±	±	049						
±	±	±	±	050						
±	±	±	±	051						
±	±	±	±	052						
±	±	±	±	053						
±	±	±	±	054						
±	±	±	±	055						
±	±	±	±	056						
±	±	±	±	057						
±	±	±	±	058						
±	±	±	±	059						
±	±	±	±	060						
±	±	±	±	061						
±	±	±	±	062						
±	±	±	±	063						
±	±	±	±	064						
±	±	±	±	065						
±	±	±	±	066						
±	±	±	±	067						
±	±	±	±	068						
±	±	±	±	069						
±	±	±	±	070						
±	±	±	±	071						
±	±	±	±	072						
±	±	±	±	073						
±	±	±	±	074						
±	±	±	±	075						
±	±	±	±	076						
±	±	±	±	077						
±	±	±	±	078						
±	±	±	±	079						
±	±	±	±	080						
±	±	±	±	081						
±	±	±	±	082						
±	±	±	±	083						
±	±	±	±	084						
±	±	±	±	085						
±	±	±	±	086						
±	±	±	±	087						
±	±	±	±	088						
±	±	±	±	089						
±	±	±	±	090						
±	±	±	±	091						
±	±	±	±	092						
±	±	±	±	093						
±	±	±	±	094						
±	±	±	±	095						
±	±	±	±	096						
±	±	±	±	097						
±	±	±	±	098						
±	±	±	±	099						
±	±	±	±	100						