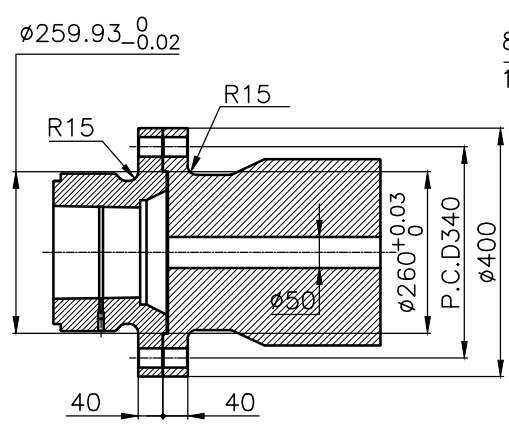
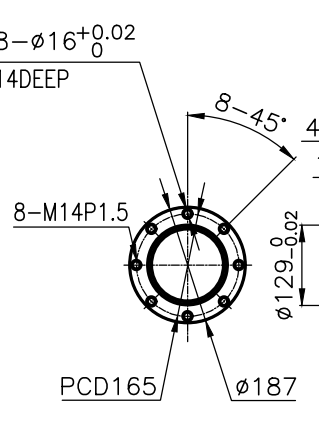


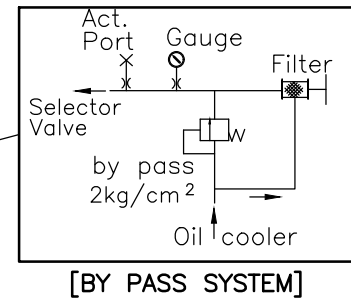
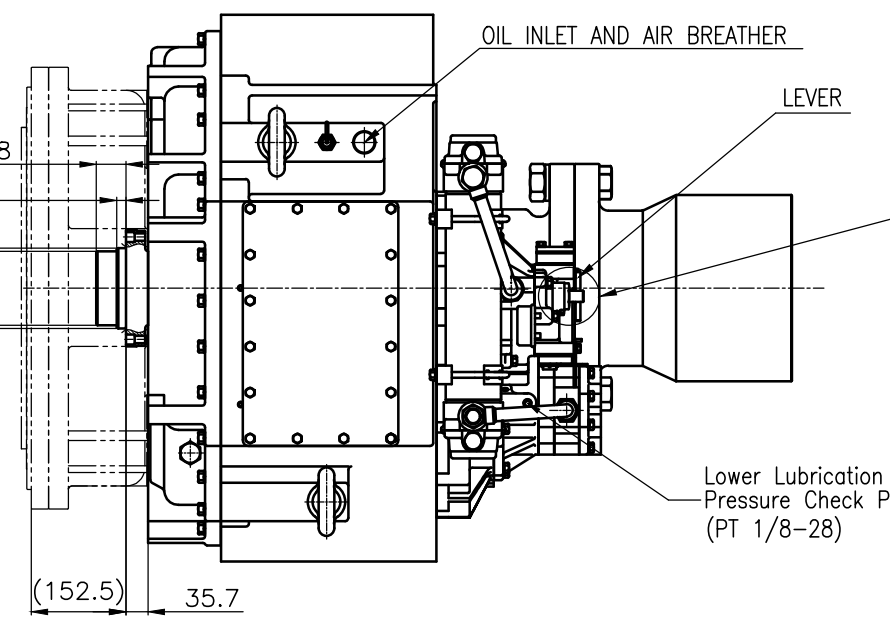
DMT600BL MARINE TRSANMISSION SPECIFICATION	
GEAR RATIO	4.12, 4.48, 5.11, 5.62, 5.91
TOTAL WEIGHT	APPROX. 1645Kg (DRY, EXCEPT FOR PROPELLER COUPLING, PPcoupling weight 184kg)
OIL CAPACITY	APPROX. 37 L
OIL VISCOSITY	SAE # 30
OIL PRESSURE	2.16 ~ 2.64 MPa CLUTCH OIL
DIRECTION OF ROTATION	INPUT C.C.W VIEWED FROM THE STERN
IN FORWARD	OUTPUT C.W VIEWED FROM THE STERN
OIL CHANGE INTERVAL	THE FIRST 100HOURS OF INITIAL OPERATION AND EVERY 1000HOURS THEREAFTER
SHIFTING LIMIT	UNDER 50% OF THE RATED ENGINE SPEED
OIL COOLER	WATER FLOW 100 ~ 200 L/min TEMPERATURE OF COOLING WATER MAX 32°C
OPERATING TORQUE OF SHIFTING LEVER	UNDER 2.94Nm



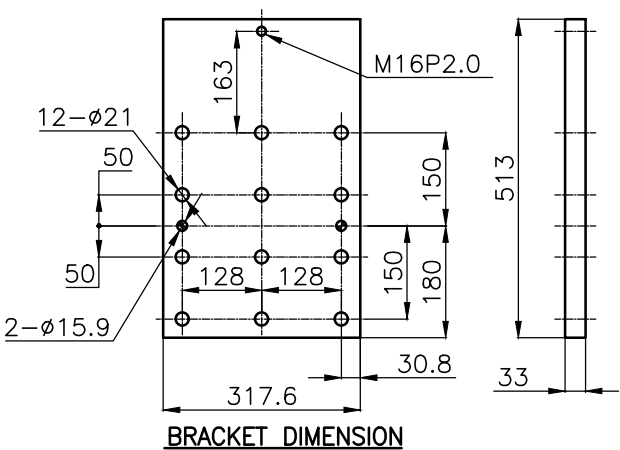
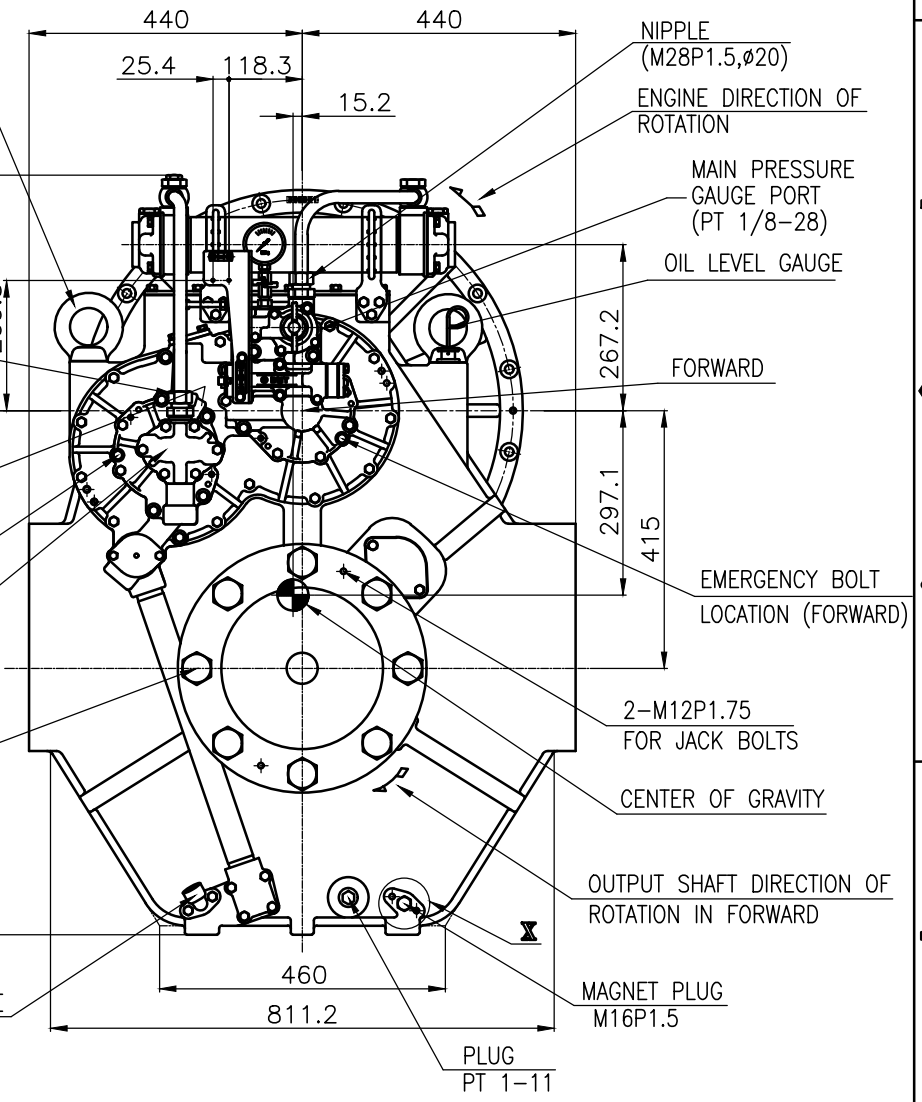
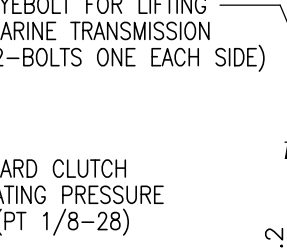
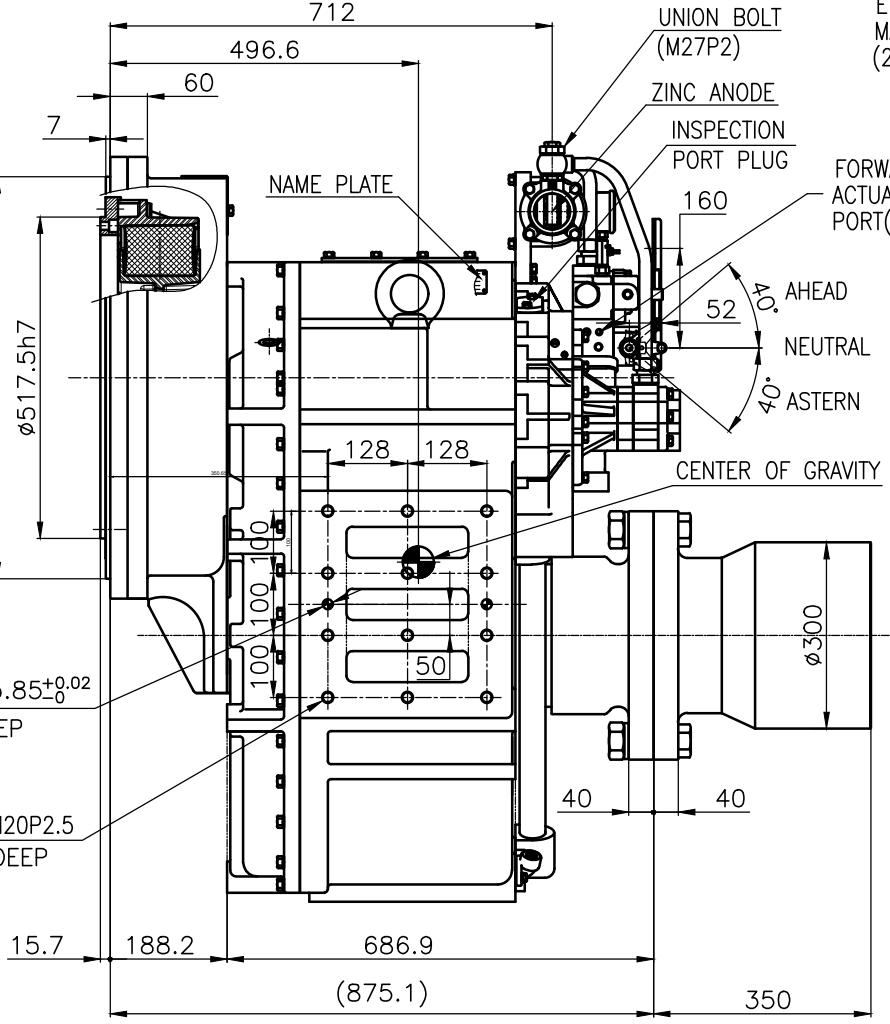
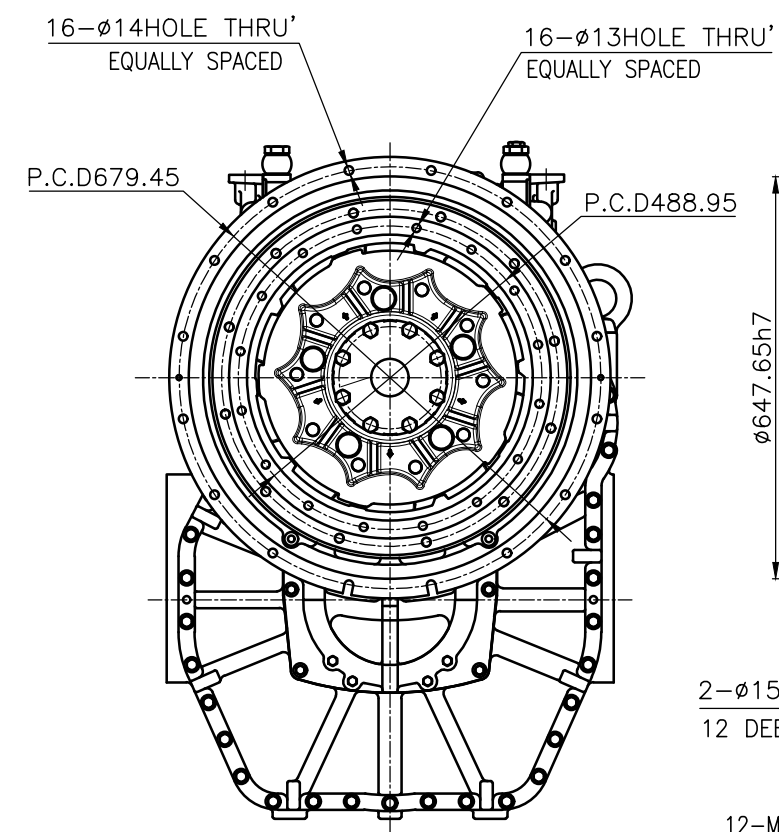
OUTPUT SHAFT COUPLING & PROPELLER COUPLING DIMENSION



INPUT COUPLING DIMENSION

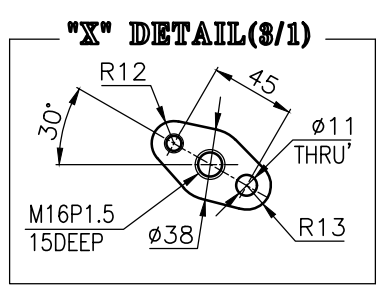


[BY PASS SYSTEM]



BRACKET DIMENSION

REMARK
 1.HOUSING : SAE# 0
 2.DRIVING RING : SAE 16"
 3.COUPLING TYPE
 CENTA FLEX COUPLING: 77520802
 DUMMY: 550951, 77520890



공통공차 TOLERANCE ON		번호 NO.	품 PART NO.	품 PART NAME	개수 Q'TY	재 MATERIAL	규 SIZE	비 REMARKS
분수	소수	각도	제 MATERIAL DATE 2019.11.28 SCALE 1/1 APPROVED BY CHECKED BY DRAWN DESIGNED KC.Yoon					
±	±	±	형 식 TYPE DMT600BL 품 명 NAME MARINE TRANSMISSION 도 DWG. NO. 67000GBLA~E-016CFR 크 기 SIZE A 8 코드 번호 CODE ID. NO.					
±	±	±	계량 (REV.) 000					
1 초과 4 이하 ±0.3 ±0.1 ±0.05 4 16 ±0.5 ±0.2 ±0.07 16 63 ±0.7 ±0.3 ±0.1 63 250 ±1.2 ±0.5 ±0.2 250 1000 ±2.0 ±0.8 ±0.3		D-I INDUSTRIAL						