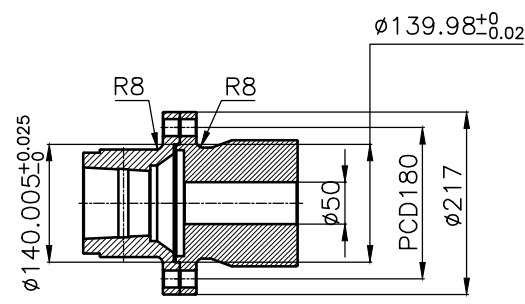
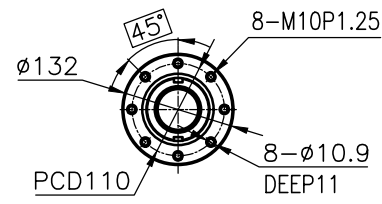


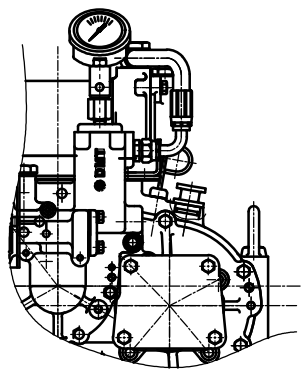
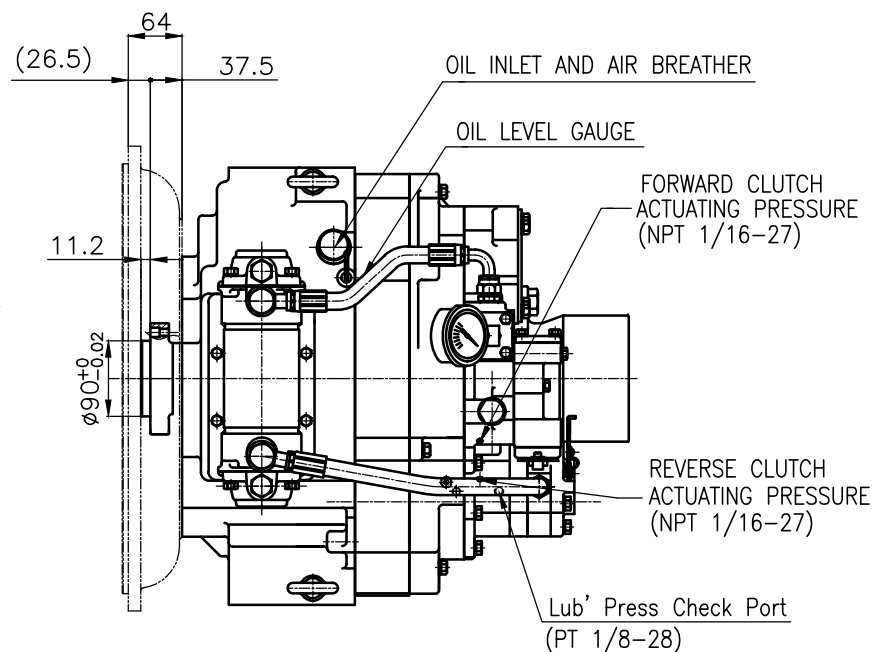
DMTP 5100 MARINE TRANSMISSION SPECIFICATION			
GEAR RATIO	1.47, 1.76, 1.93, 2.48, 3.08, 3.46		
TOTAL WEIGHT	APPROX. 263 kg(DRY)		
OIL CAPACITY	APPROX. 5 L		
OIL VISCOSITY	SAE # 30		
OIL PRESSURE	1.96 ~ 2.35 MPa	CLUTCH OIL	
DIRECTION OF ROTATION IN FORWARD	INPUT	C.C.W VIEWED FROM THE STERN	
	OUTPUT	C.W VIEWED FROM THE STERN	
OIL CHANGE INTERVAL	THE FIRST 100HOURS OF INITIAL OPERATION AND EVERY 1000HOURS THEREAFTER		
SHIFTING LIMIT	UNDER 50% OF THE RATED ENGINE SPEED		
OIL COOLER	WATER FLOW 40 ~ 60L/min		
	TEMPERATURE OF COOLING WATER MAX 32°C		
OPERATING TORQUE OF SHIFTING LEVER	UNDER 2.94Nm		



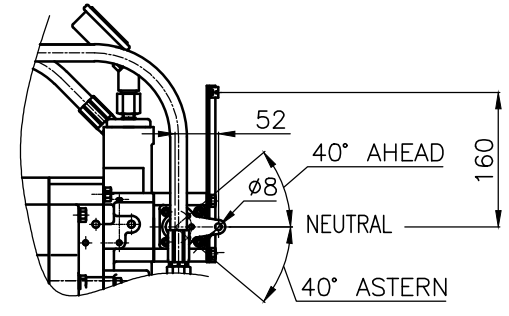
OUTPUT SHAFT COUPLING & PROPELLER COUPLING DIMENSION



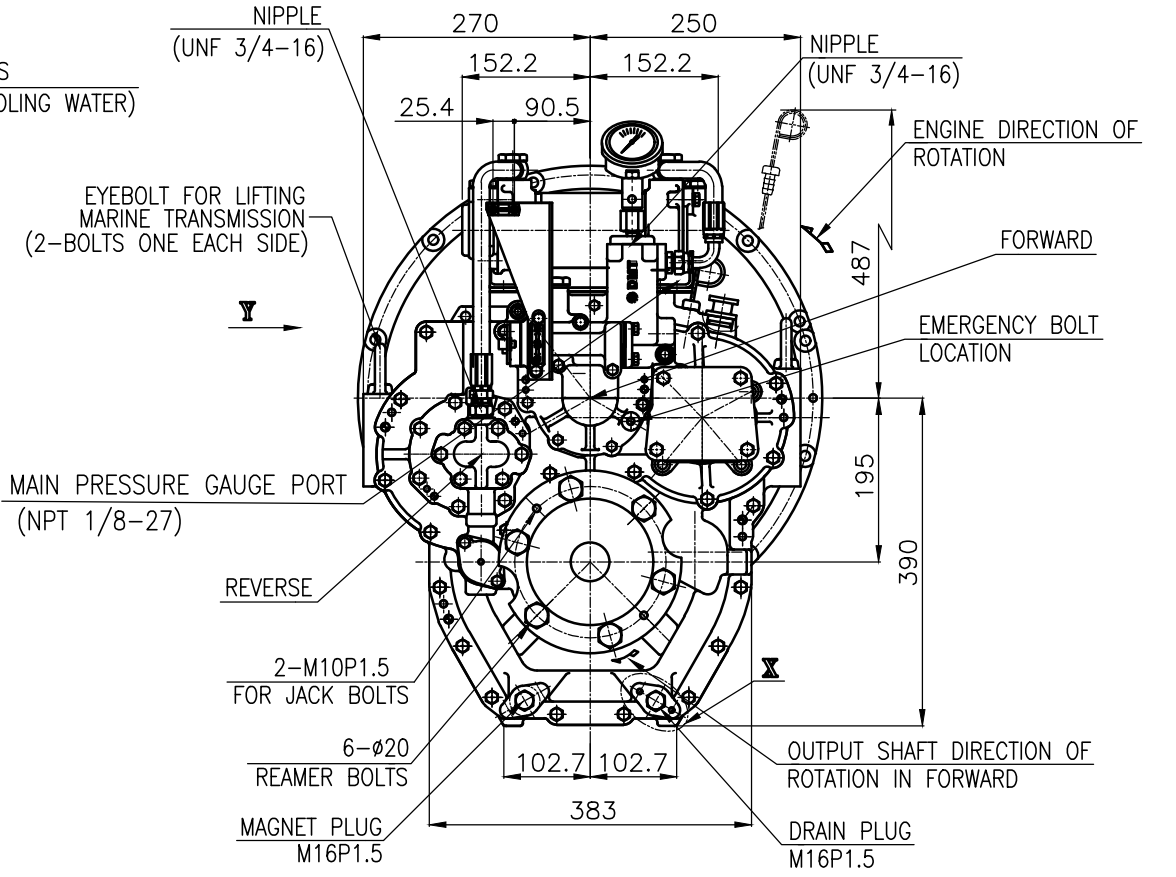
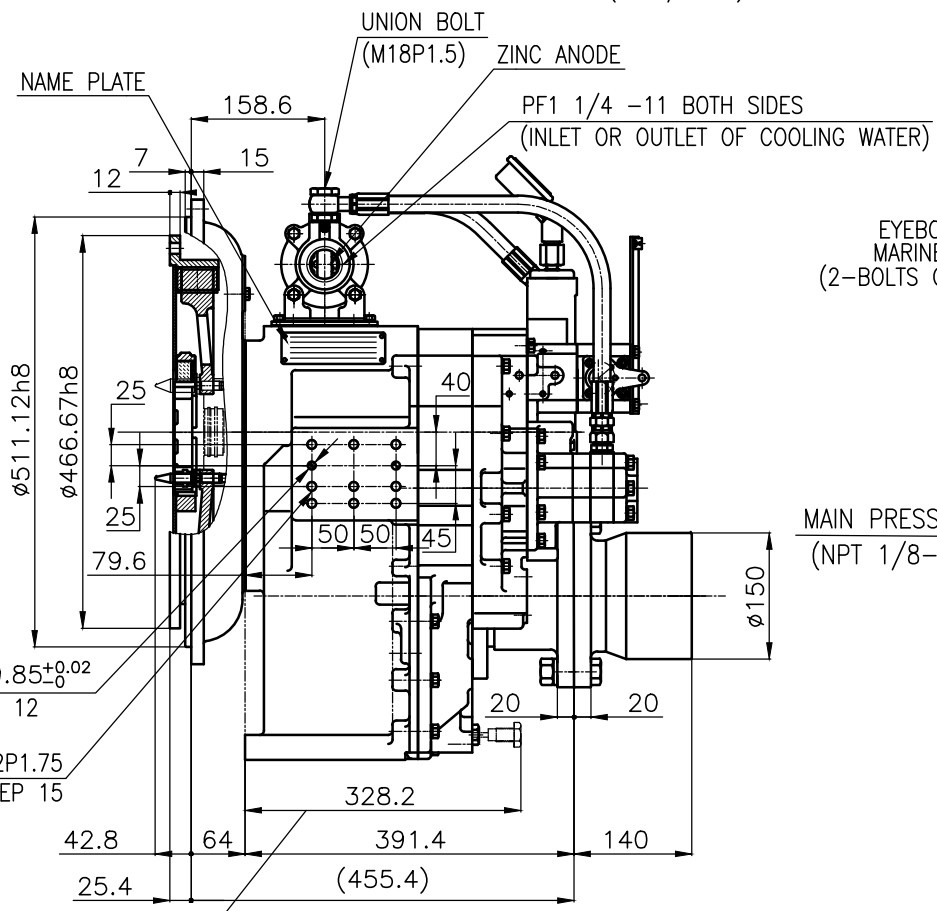
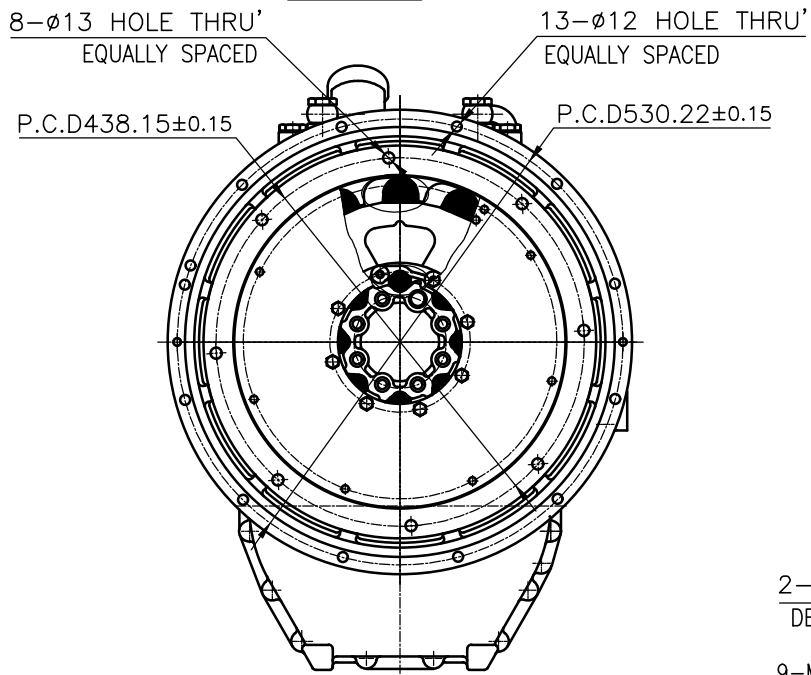
INPUT COUPLING DIMENSION



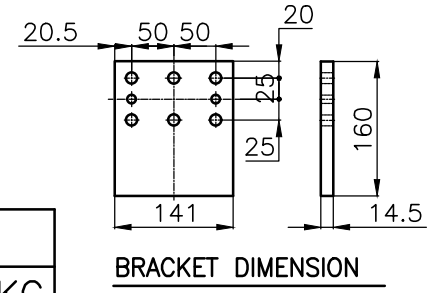
P.T.O ATTACHED



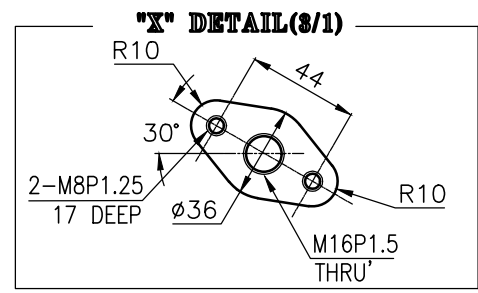
VIEW Y



- REMARK
- 1.HOUSING: SAE#1
 - 2.DRIVING RING: SAE 14"
 - 3.COUPLING TYPE : DUAL STAGE



BRACKET DIMENSION



公差 TOLERANCE ON		PART NO.		PART NAME		QTY		MATERIAL		SIZE		REMARKS	
분수	소수	각도	재질		형식		DMTP5100		원도		비고		
±	±	±	DATE		SCALE		MARINE TRANSMISSION		ORIGINAL DWG. NO.		계형 (REV.)		
1	0.1	0.05	2018.09.12		1/1		JK.Kim TH.Cha GH.Park		51000GA~F-114DCH		000		
4	±0.5	±0.2	APPROVED BY		CHECKED BY		DRAWN		DESIGNED		도		
16	±0.7	±0.3	JK.Kim		TH.Cha		GH.Park				크기		
63	±1.2	±0.5									A1		
280	±2.0	±0.8									동이공업(주)		

제 품	소 재	재	
HS Code	HS Code	량	263 KG
규 격	중	량	
SIZE	Weight		