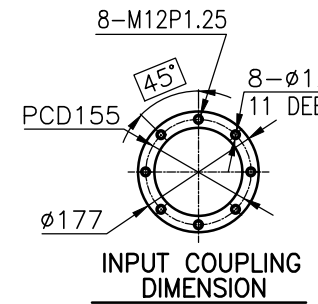
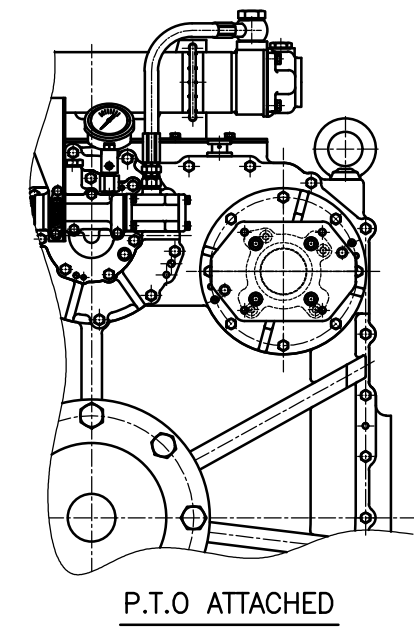
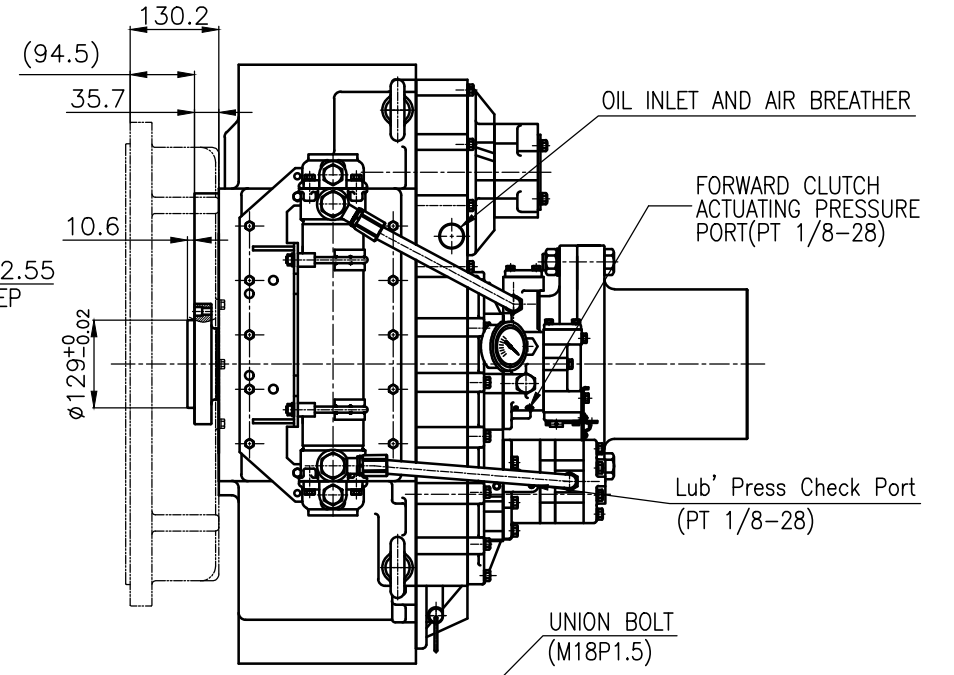


OUTPUT SHAFT COUPLING & PROPELLER COUPLING DIMENSION

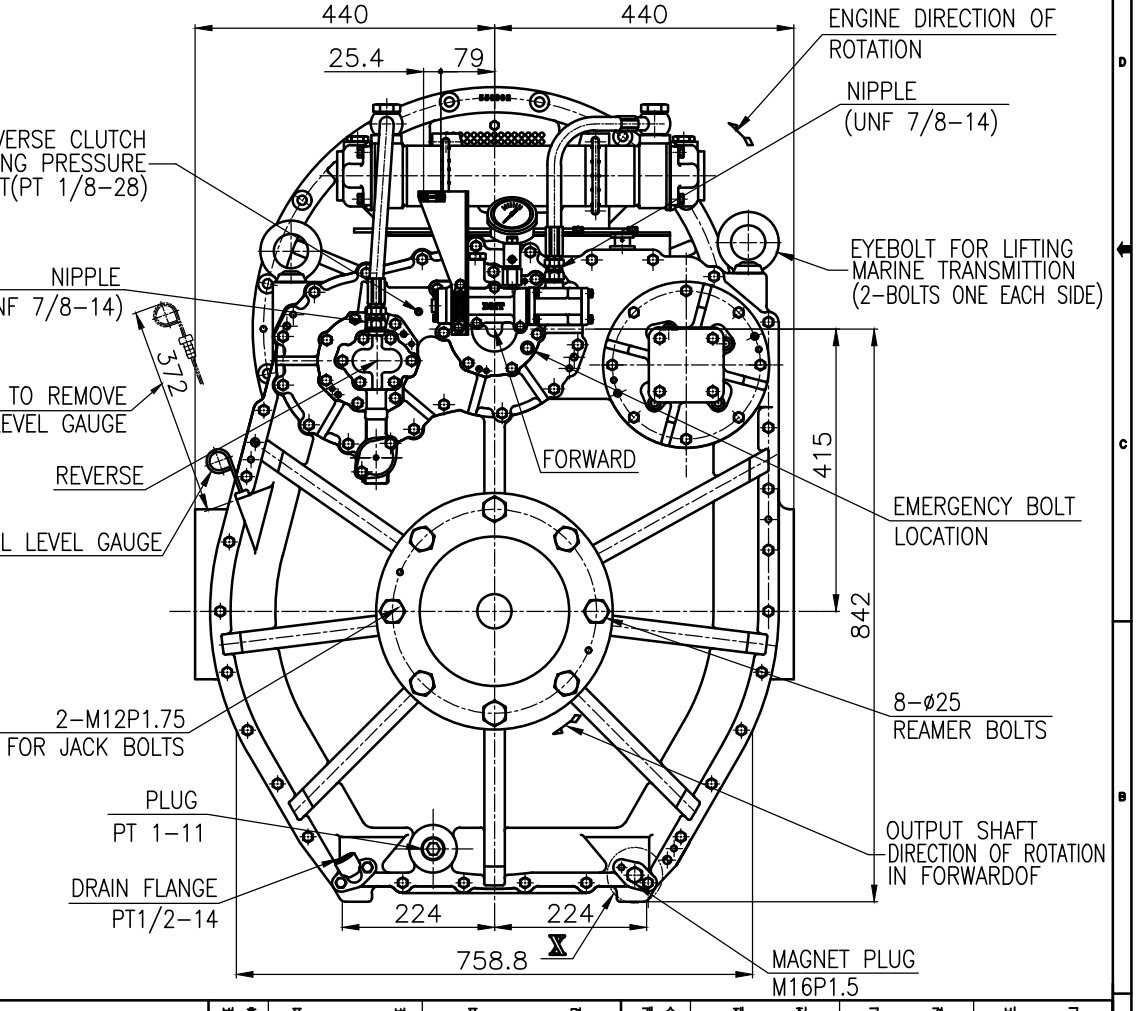
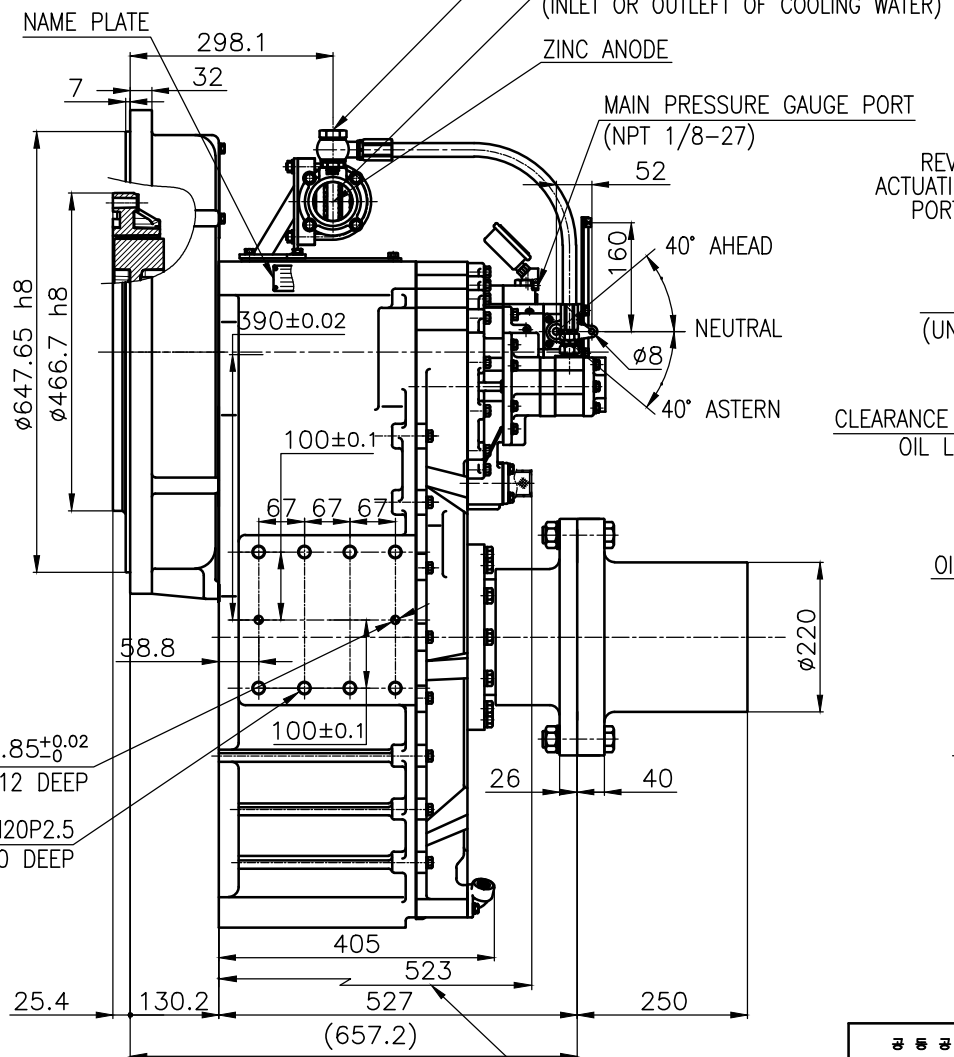
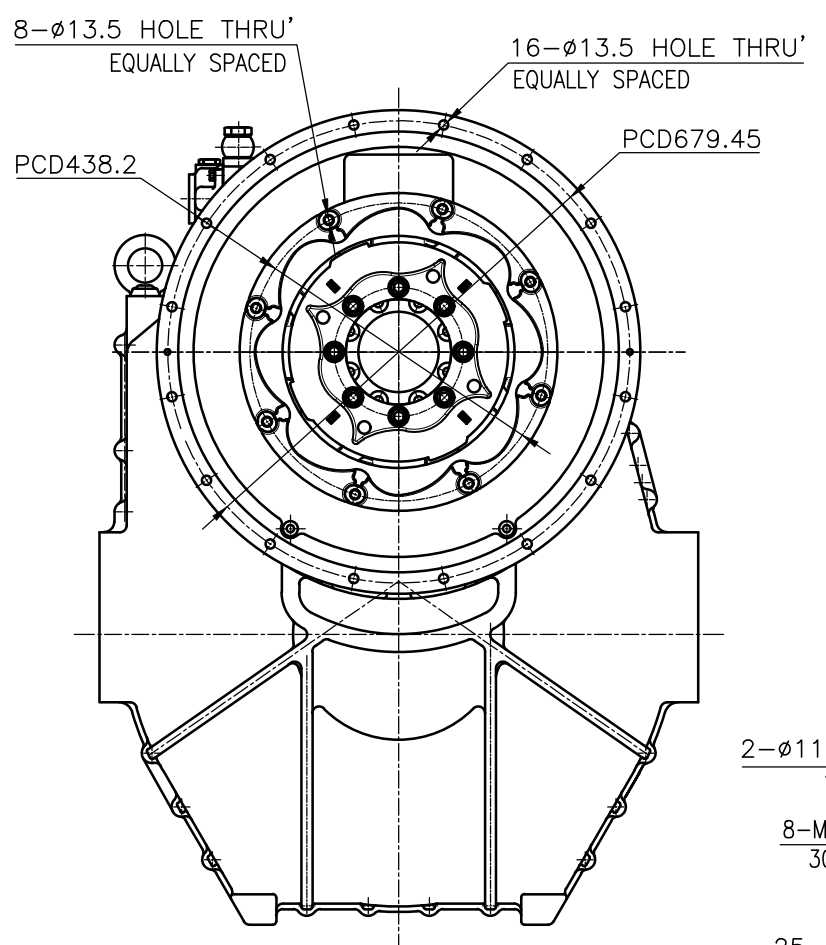


INPUT COUPLING DIMENSION

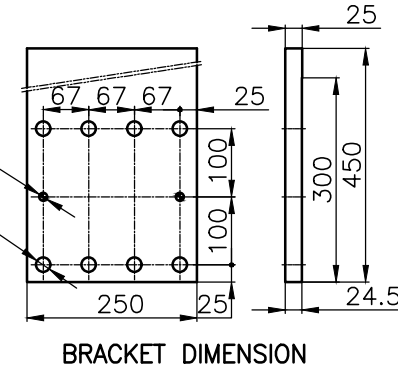


P.T.O ATTACHED

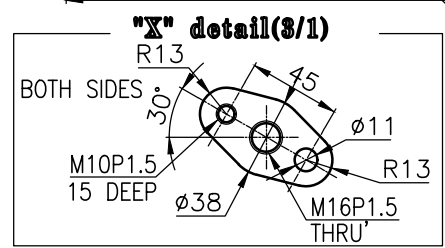
DMTP 6500 MARINE TRANSMISSION SPECIFICATION			
GEAR RATIO	5.11, 5.62, 5.91, 6.57, 6.95		
TOTAL WEIGHT	APPROX. 900 Kg(DRY)		
OIL CAPACITY	APPROX. 40 L		
OIL VISCOSITY	SAE # 30		
OIL PRESSURE	1.96 ~ 2.54 MPa	CLUTCH OIL	
DIRECTION OF ROTATION	INPUT	C.C.W VIEWED FROM THE STERN	
	OUTPUT	C.W VIEWED FROM THE STERN	
OIL CHANGE INTERVAL	THE FIRST 100HOURS OF INITIAL OPERATION AND EVERY 1000HOURS THEREAFTER		
SHIFTING LIMIT	UNDER 50% OF THE RATED ENGINE SPEED		
OIL COOLER	WATER FLOW 40 ~ 60 L/m		MAX 32°
	TEMPERATURE OF COOLING WATER		
OPERATING TORQUE OF SHIFTING LEVER	UNDER 2.94Nm		



REMARK
1.HOUSING: SAE#0
2.DRIVING RING: SAE 14"
3.COUPLING TYPE
-CENTA Flex Coupling : 77268803



BRACKET DIMENSION



'X' detail(3/1)

공통공차 TOLERANCE ON			번호 NO.	품 PART NO.	품 PART NAME	개수 QTY	재 MATERIAL	규 SIZE	비 REMARKS
분수 FRACTIONS	소수 DECIMALS	각도 ANGLES							
±	±	±							
검사 가공			MATERIAL						
			작성 DATE 2018.09.12		척도 SCALE N/S		형 식 TYPE DMTP6500		
			승 인 APPROVED BY JK.Kim		검 토 CHECKED BY TH.Cha		제 도 설 계 DRAWN DESIGNED GH.Park		품 명 NAME MARINE TRANSMISSION
			1 초과 4 이하 ±0.3 ±0.1 ±0.05		4 16 ±0.5 ±0.2 ±0.07		16 63 ±0.7 ±0.3 ±0.1		도 번 DWG. NO. 65000GA~E-014CFR
			63 250 ±1.2 ±0.5 ±0.2		250 1000 ±2.0 ±0.8 ±0.3		크 기 SIZE A 3		기 (REV.) 000
			D-I INDUSTRIAL			코-드 번호 CODE ID. NO.			