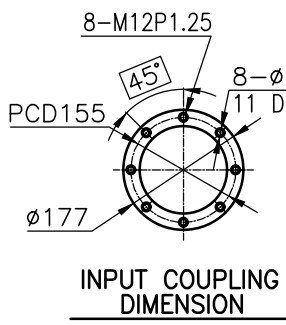
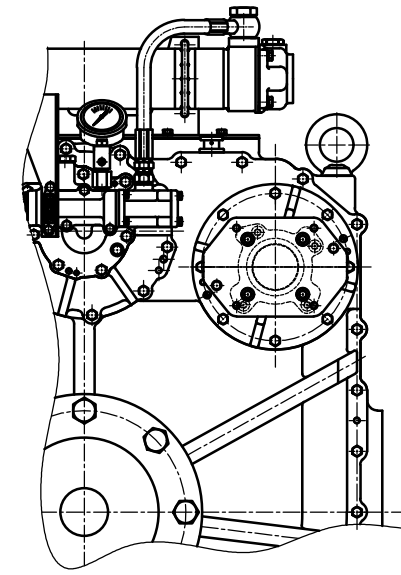
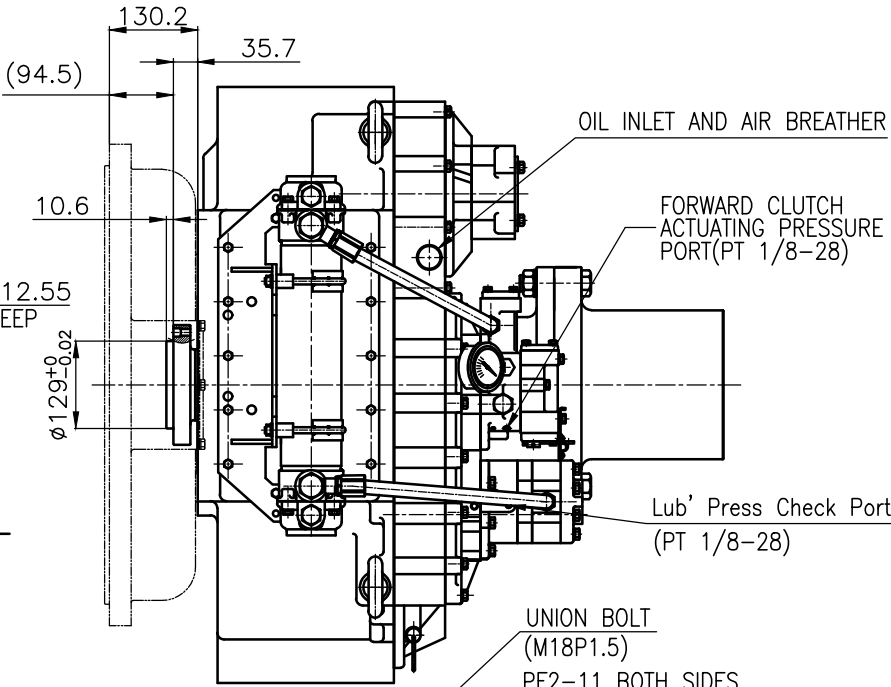


OUTPUT SHAFT COUPLING & PROPELLER COUPLING DIMENSION

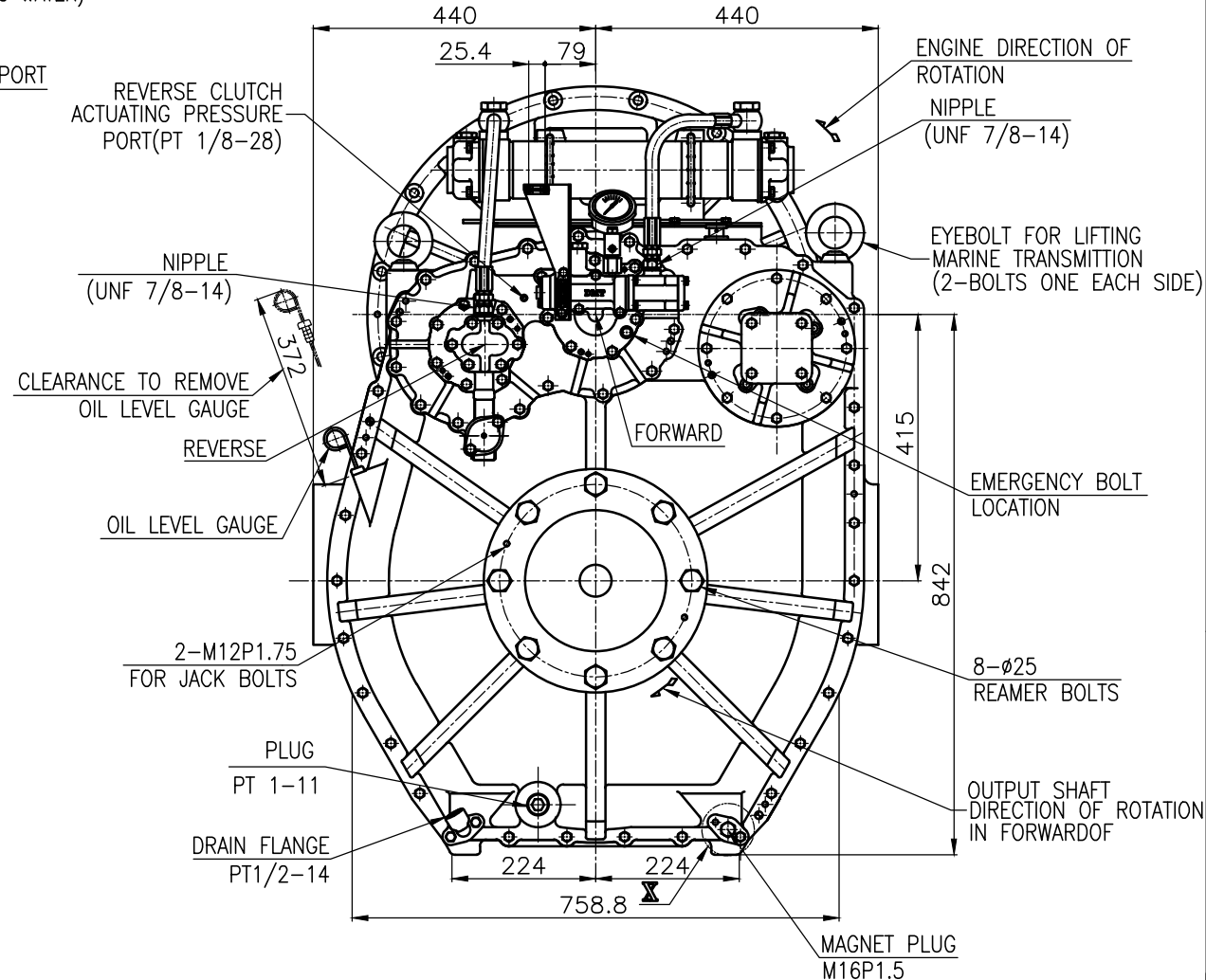
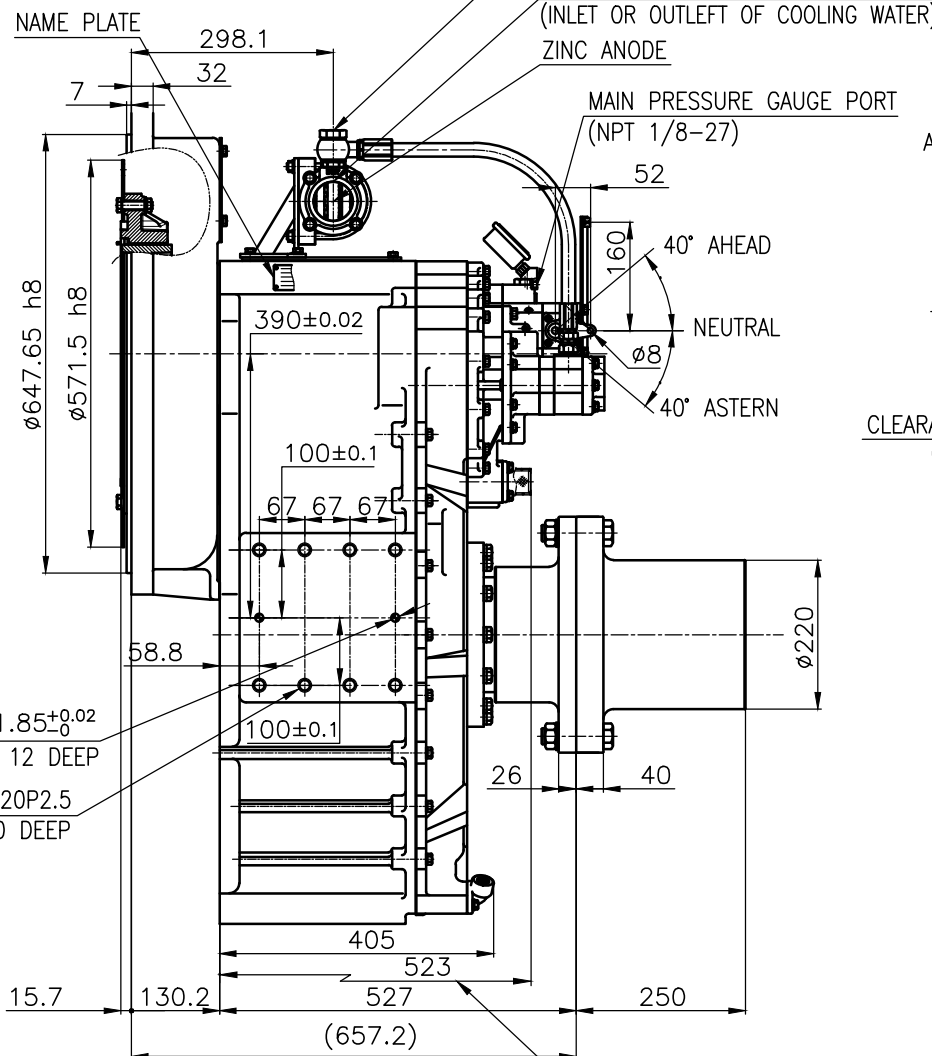
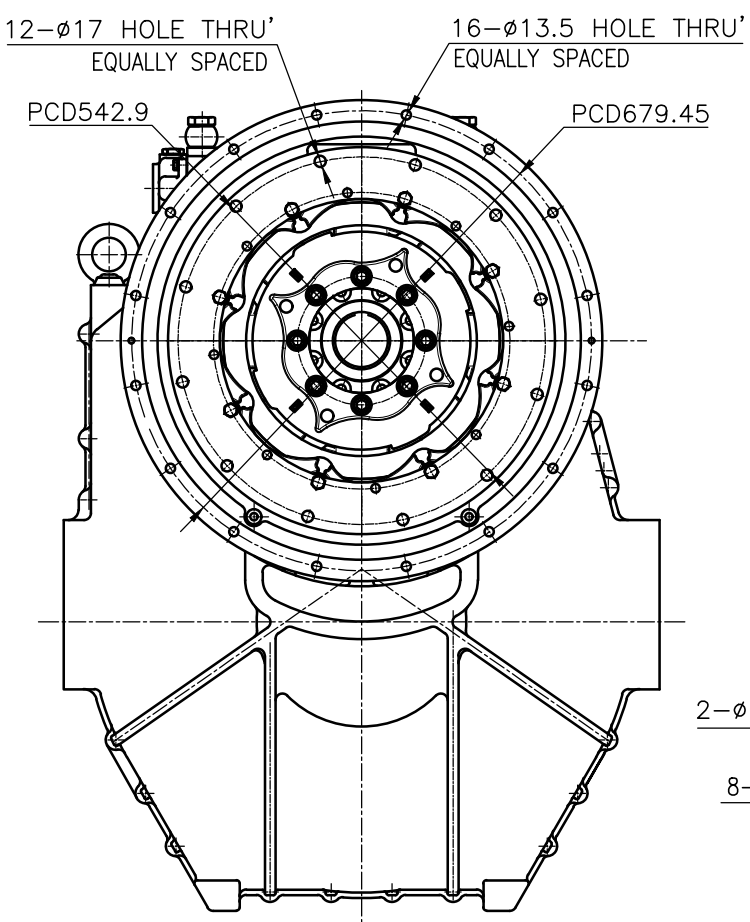


INPUT COUPLING DIMENSION

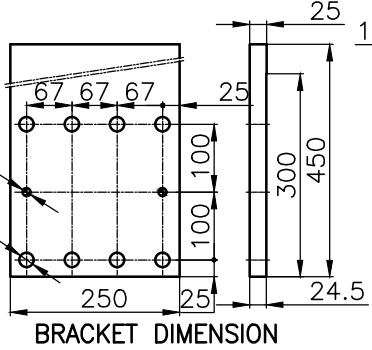


P.T.O ATTACHED

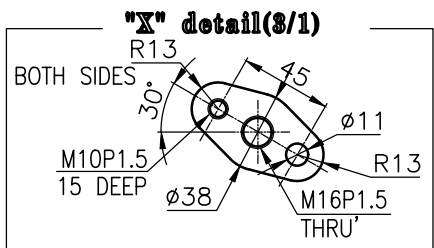
DMTP 6500 MARINE TRANSMISSION SPECIFICATION			
GEAR RATIO	5.11, 5.62, 5.91, 6.57, 6.95		
TOTAL WEIGHT	APPROX. 900 Kg(DRY)		
OIL CAPACITY	APPROX. 40 L		
OIL VISCOSITY	SAE # 30		
OIL PRESSURE	1.96 ~ 2.54 MPa	CLUTCH OIL	
DIRECTION OF ROTATION	INPUT	C.C.W VIEWED FROM THE STERN	
	OUTPUT	C.W VIEWED FROM THE STERN	
OIL CHANGE INTERVAL	THE FIRST 100HOURS OF INITIAL OPERATION AND EVERY 1000HOURS THEREAFTER		
SHIFTING LIMIT	UNDER 50% OF THE RATED ENGINE SPEED		
OIL COOLER	WATER FLOW	40 ~ 60 L/m	
	TEMPERATURE OF COOLING WATER	MAX 32°	
OPERATING TORQUE OF SHIFTING LEVER	UNDER 2.94Nm		



REMARK
 1. HOUSING: SAE#0
 2. DRIVING RING: SAE 18"
 3. COUPLING TYPE
 -CENTA Flex Coupling : 77268802



BRACKET DIMENSION



"X" detail (3/1)

공용공차 TOLERANCE ON				PART NO.		PART NAME		Q'TY		MATERIAL		SIZE		REMARKS				
분수	소수	각도	공차	분수	소수	공차	공차	공차	공차	공차	공차	공차	공차	공차	공차			
1 초과 4 이하	± 0.3	± 0.1	± 0.05	1	2	3	4	5	6	7	8	9	10	11	12			
1	± 0.3	± 0.1	± 0.05	1	2	3	4	5	6	7	8	9	10	11	12			
4	± 0.5	± 0.2	± 0.07	16	63	± 0.7	± 0.3	± 0.1	63	250	± 1.2	± 0.5	± 0.2	250	1000	± 2.0	± 0.8	± 0.3

번호	2018.09.12	SCALE	N/S
작성 DATE	2018.09.12	SCALE	N/S
APPROVED BY	JK.Kim	CHECKED BY	TH.Cha
DESIGNED	GH.Park		
TYPE	DMTP6500		
NAME	MARINE TRANSMISSION		
DWG. NO.	65000GA~E-018CFR		
SIZE	A3	CODE ID. NO.	