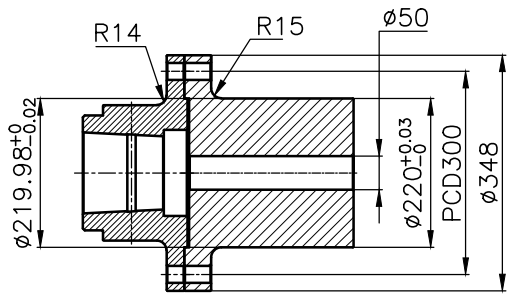
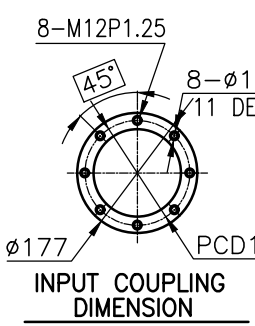


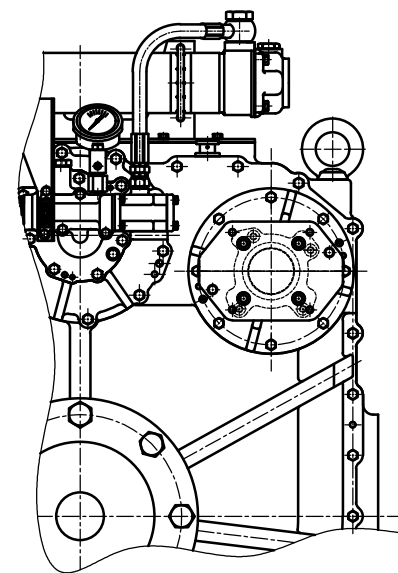
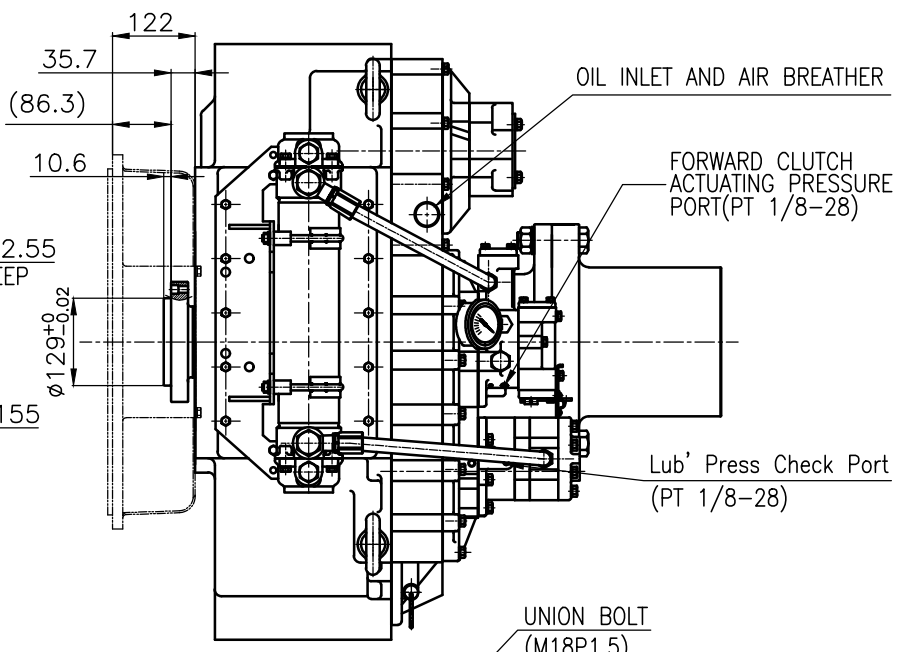
DMTP 6500 MARINE TRANSMISSION SPECIFICATION			
GEAR RATIO	5.11, 5.62, 5.91, 6.57, 6.95		
TOTAL WEIGHT	APPROX. 900 Kg(DRY)		
OIL CAPACITY	APPROX. 40 L		
OIL VISCOSITY	SAE # 30		
OIL PRESSURE	1.96 ~ 2.54 MPa	CLUTCH OIL	
DIRECTION OF ROTATION	INPUT	C.C.W VIEWED FROM THE STERN	
	OUTPUT	C.W VIEWED FROM THE STERN	
OIL CHANGE INTERVAL	THE FIRST 100HOURS OF INITIAL OPERATION		
	AND EVERY 1000HOURS THEREAFTER		
SHIFTING LIMIT	UNDER 50% OF THE RATED ENGINE SPEED		
	WATER FLOW 40 ~ 60 L/m		
OIL COOLER	TEMPERATURE OF COOLING WATER		MAX 32°
	OPERATING TORQUE OF SHIFTING LEVER UNDER 2.94Nm		



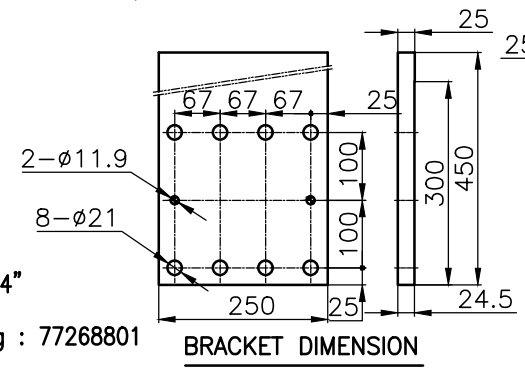
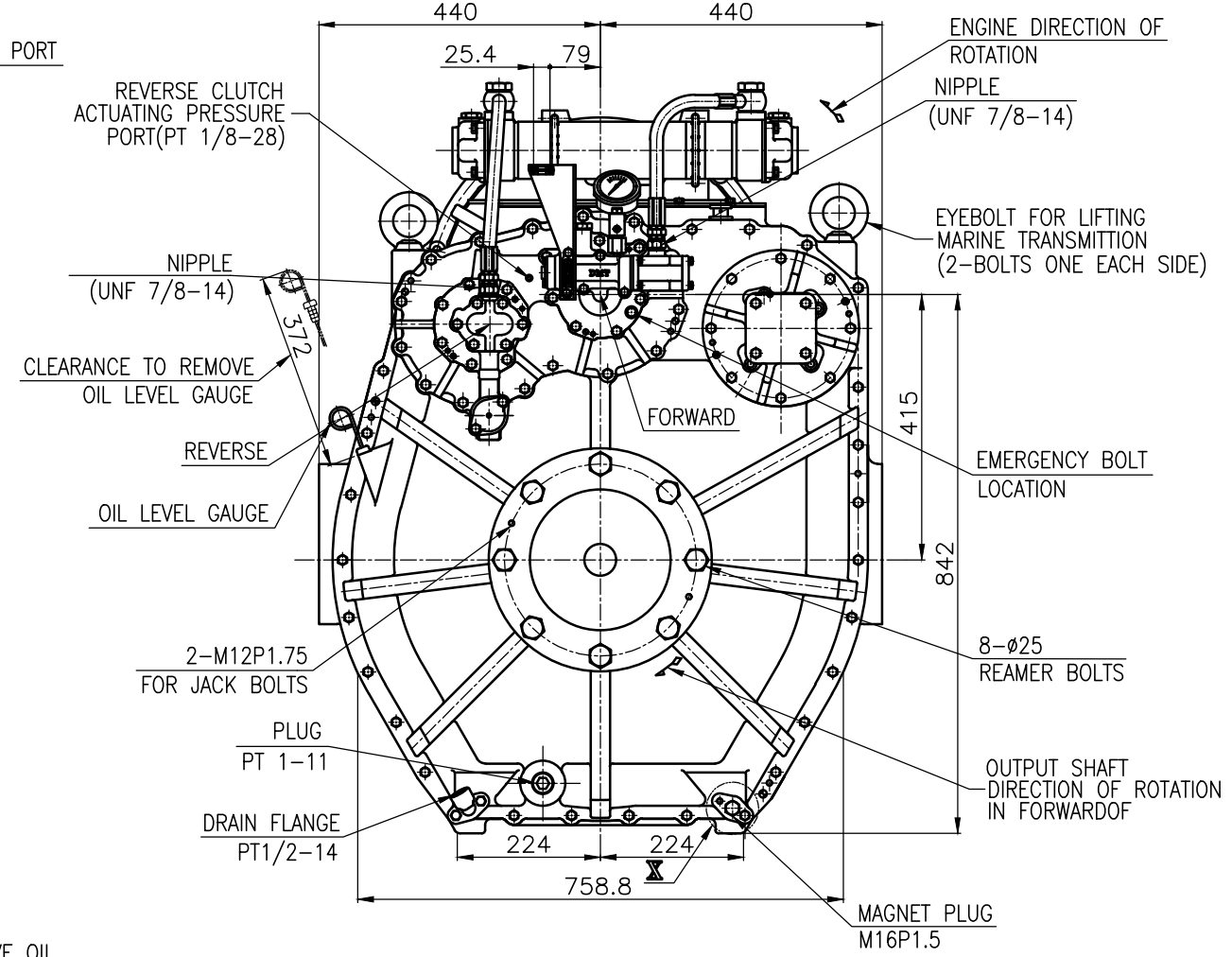
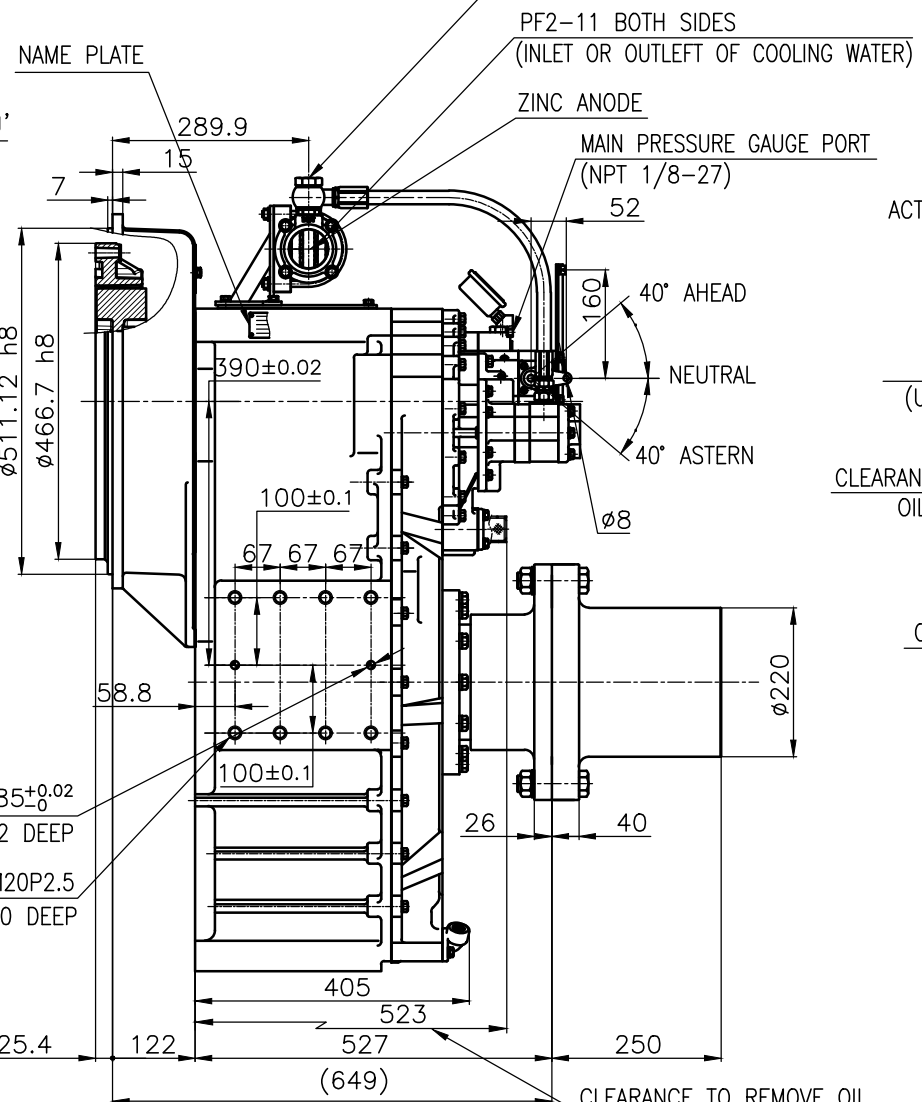
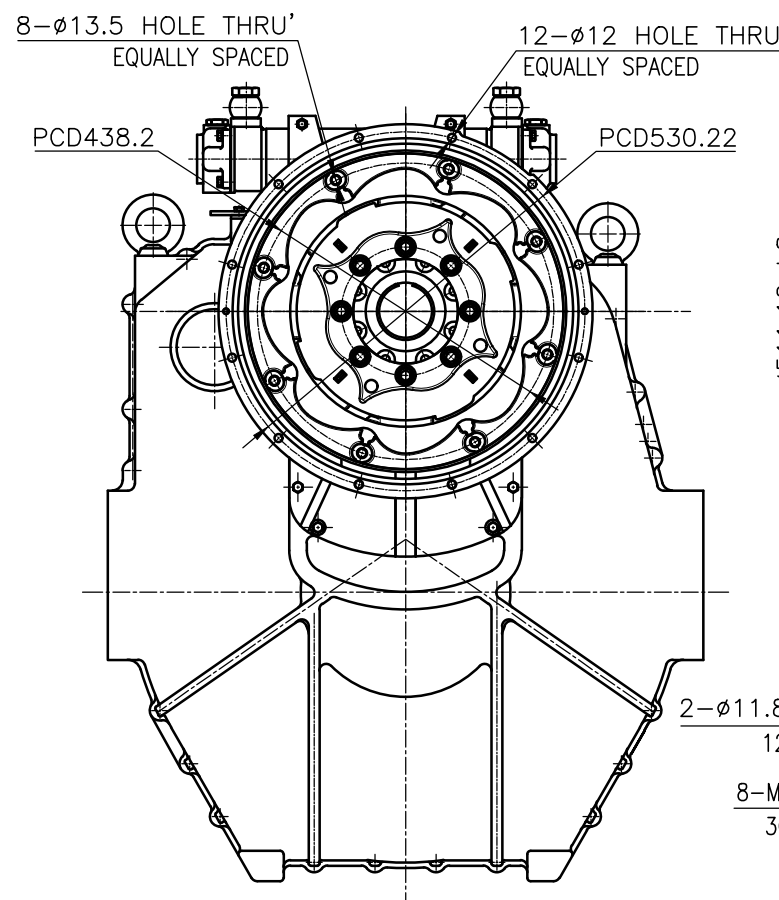
OUTPUT SHAFT COUPLING & PROPELLER COUPLING DIMENSION



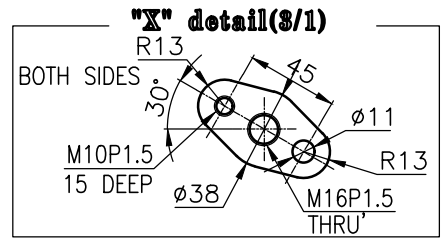
INPUT COUPLING DIMENSION



P.T.O. ATTACHED



BRACKET DIMENSION



"X" detail (3/1)

REMARK
1. HOUSING: SAE#1
2. DRIVING RING: SAE 14"
3. COUPLING TYPE
-CENTA Flex Coupling : 77268801

공용공차	TOLERANCE ON	번호	품	변	품	명	개	재	규	비	고
FRACTIONS	DECIMALS	각도	NO.	PART NO.	PART NAME	Q'TY	MATERIAL	SIZE	REMARKS	원도	고
±	±	±								번호	고
										ORIGINAL DWG. NO.	
										TYPE	
										NAME	
										DWG. NO.	
										계정 (REV.)	
										000	
										크기	
										코드 번호	
										CODE ID. NO.	

D-I INDUSTRIAL