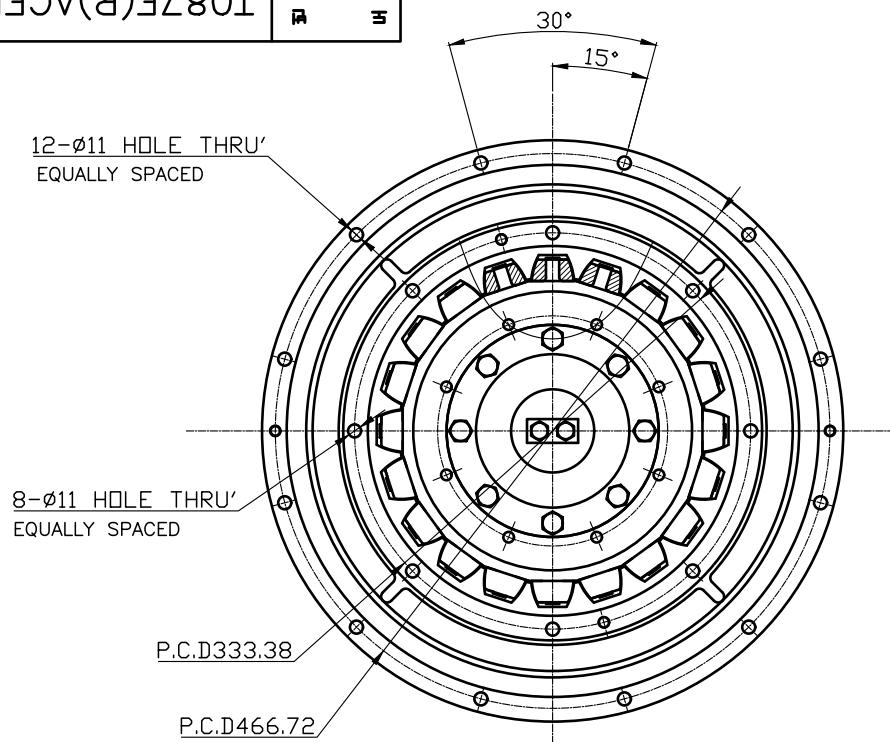
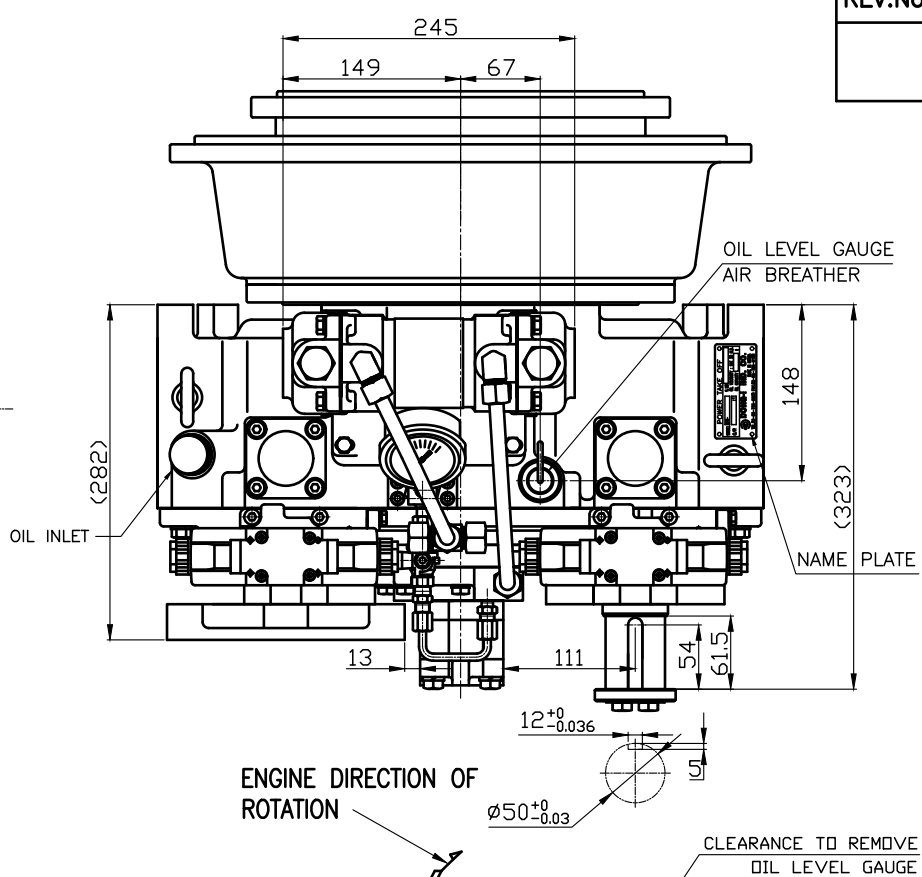


개정번호 REV.No	부 호 SYM.	내 용 DESCRIPTION	위 치 POSITION	제용서번호 ADOPTION SHEET NO.	입 자 DATE	수 정 REV'D	승 인 APP'D

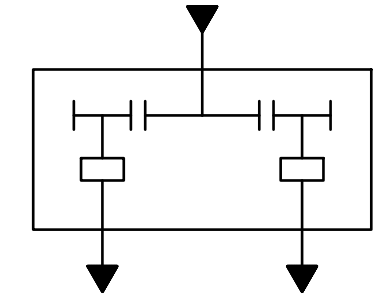


HOUSING: SAE#2, DRIVING RING: SAE 11.5"

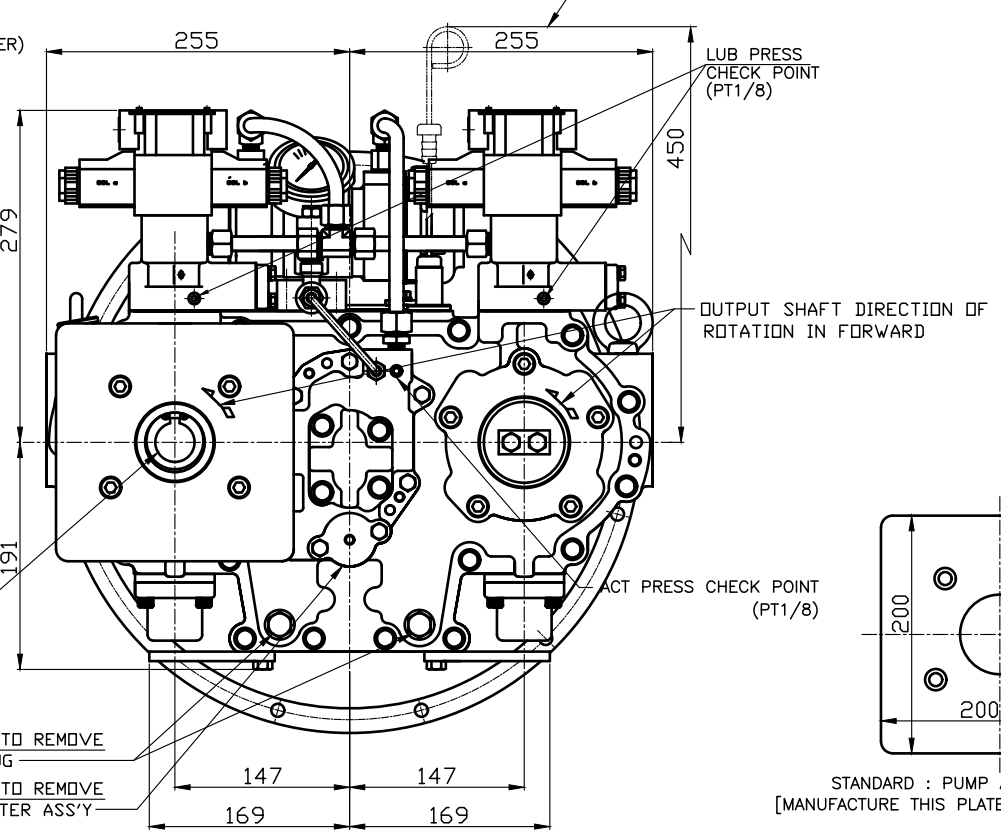
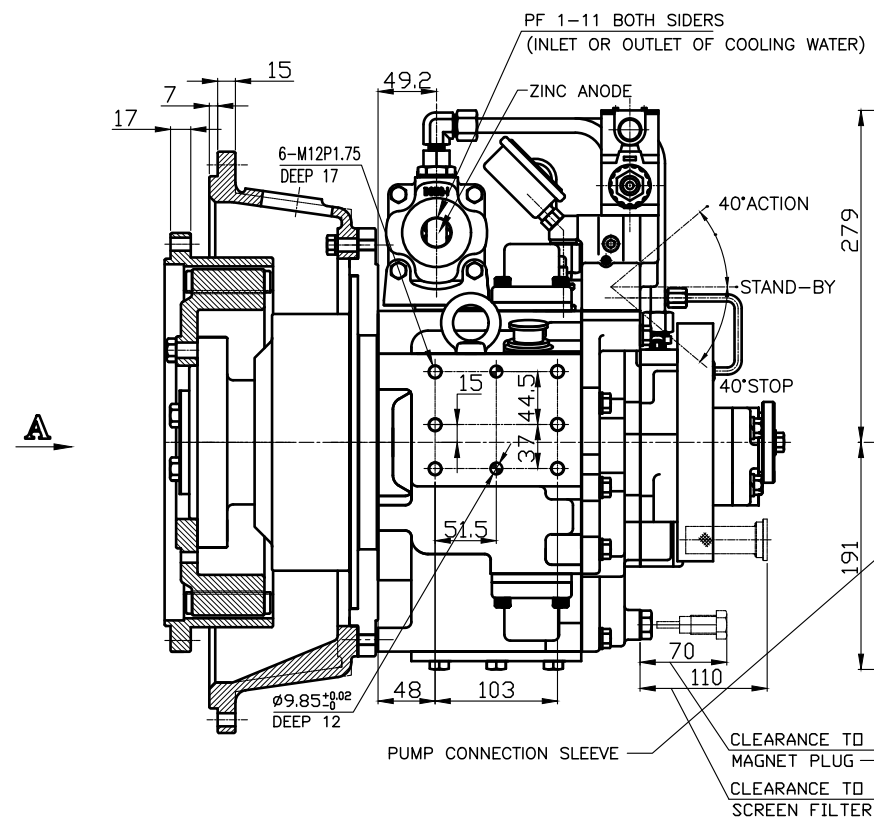
View -A



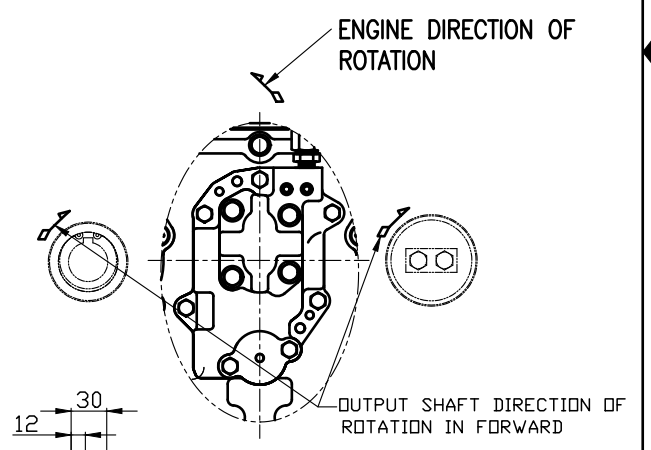
DPO-087 POWER TAKE OFF	
GEAR RATIO	1:1 / 0.85:1
TOTAL WEIGHT	APPROX. 150Kg(DRY)
OIL CAPACITY	APPROX. 3 L
OIL VISCOSITY	SAE # 30
OIL PRESSURE	20 ~ 26kg/cm ² CLUTCH OIL
OIL CHANGE INTERVAL	THE FIRST 100HOURS OF INITIAL OPERATION AND EVERY 1000HOURS THEREAFTER
OIL COOLER	WATER FLOW 20 ~ 40 L/m
	TEMPERATURE OF COOLING WATER MAX 32°C
OPERATING TORQUE OF SHIFTING LEVER	UNDER 30kg·cm



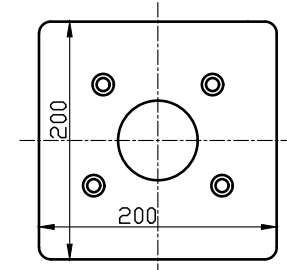
Scheme of Power train



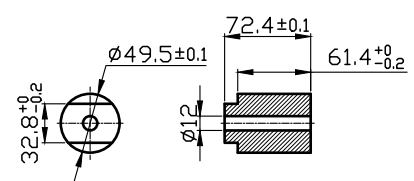
FRONT PTO



REAR PTO



STANDARD : PUMP ATTACHMENT PLATE [MANUFACTURE THIS PLATE FOR PUMP ATTACHMENT]



REMARK
1. HOUSING: SAE#2
2. DRIVING RING: SAE 11.5"

공용공차 FRACTIONS	TOLERANCE ON DECIMALS	각도 ANGLES	번호 NO.	품 명 PART NO.	명 칭 PART NAME	개 수 QTY	재 질 MATERIAL	구 크 SIZE	비 고 REMARKS
±	±	±							
1 초과 4 이하	±0.3	±0.1							
4 16	±0.5	±0.2							
16 63	±0.7	±0.3							
63 250	±1.2	±0.5							
250 1000	±2.0	±0.8							

작성 DATE 2015.01.12	SCALE 1/1	TYPE DPO-087	REMARKS ORIGINAL DWG. NO.
APPROVED BY	CHECKED BY	NAME POWER TAKE OFF	DWG. NO. T 0 8 7 F(R) A G E H2115
D-I INDUSTRIAL		크 기 SIZE A 0	코-드 번호 CODE ID. NO.

제 품 HS Code	소 재 HS Code	중 량 Weight	KG
구 크 SIZE			