

T087F(R)AGEH3115

DWG. NO. 3

개정번호 REV.No	부 호 SYM.	내 용 DESCRIPTION	위 치 POSITION	제용서번호 ADOPTION SHEET NO.	입 자 수 정 DATE REV'D	승 인 APP'D

12-Ø11 HOLE THRU' EQUALLY SPACED

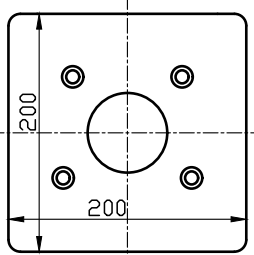
8-Ø11 HOLE THRU' EQUALLY SPACED

P.C.D333.38

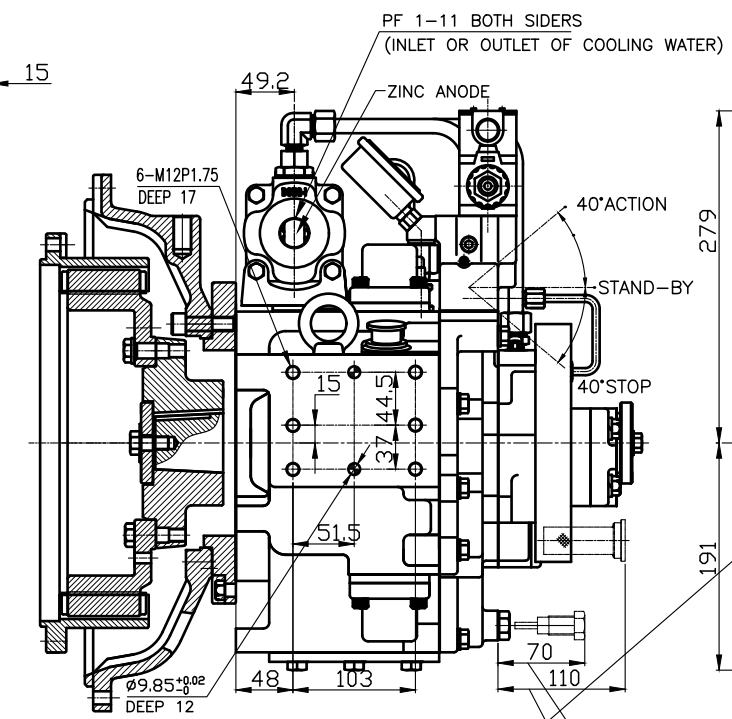
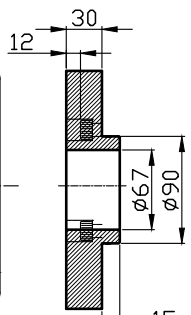
P.C.D428.62

HOUSING: SAE#3, DRIVING RING: SAE 11.5"

**View -A**

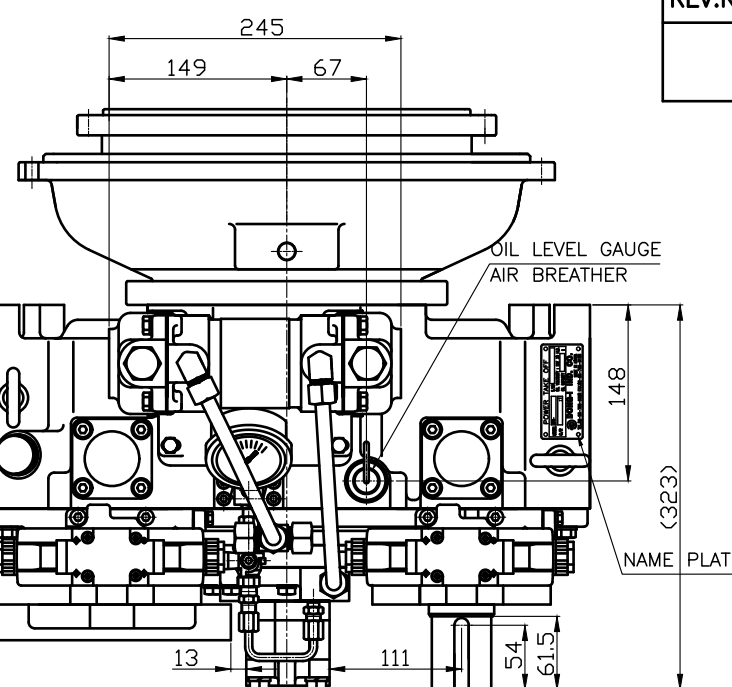


STANDARD : PUMP ATTACHMENT PLATE  
[MANUFACTURE THIS PLATE FOR PUMP ATTACHMENT]



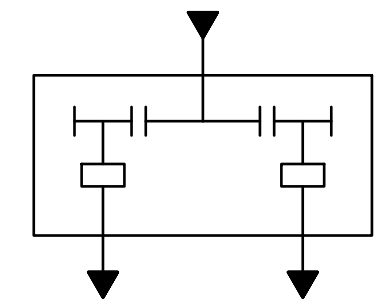
ENGINE DIRECTION OF ROTATION

**FRONT PTO**



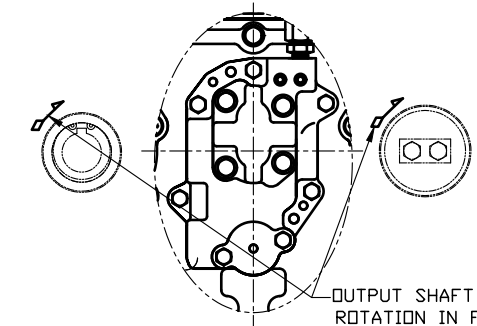
DPO-087 POWER TAKE OFF	
GEAR RATIO	1:1 / 0.85:1
TOTAL WEIGHT	APPROX. 150kg(DRY)
OIL CAPACITY	APPROX. 3 L
OIL VISCOSITY	SAE # 30
OIL PRESSURE	20 ~ 26kg/cm <sup>2</sup> CLUTCH OIL
OIL CHANGE INTERVAL	THE FIRST 100HOURS OF INITIAL OPERATION AND EVERY 1000HOURS THEREAFTER
OIL COOLER	WATER FLOW 20 ~ 40 L/m TEMPERATURE OF COOLING WATER MAX 32°C
OPERATING TORQUE OF SHIFTING LEVER	UNDER 30kg·cm

**Scheme of Power train**



ENGINE DIRECTION OF ROTATION

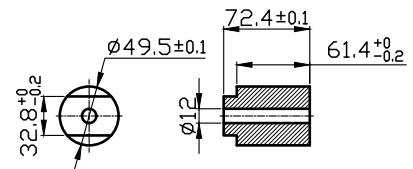
OUTPUT SHAFT DIRECTION OF ROTATION IN FORWARD



**REAR PTO**

OUTPUT SHAFT DIRECTION OF ROTATION IN FORWARD

REMARK  
1. HOUSING: SAE#3  
2. DRIVING RING: SAE 11.5"



공통공차 FRACTIONS	TOLERANCE ON DECIMALS	각도 ANGLES
± 1/16	± 0.1	± 0.05
± 1/32	± 0.05	± 0.02
± 1/64	± 0.02	± 0.01
± 1/128	± 0.01	± 0.005

번호 NO.	품 명 PART NAME	개 수 QTY	재 질 MATERIAL	규 격 SIZE	비 고 REMARKS
	주기 1 참조				ORIGINAL DWG. NO.
	DATE 2015.01.12				
	SCALE 1/1				
	성욱				


제 품 HS Code	소 제 HS Code
규 격 SIZE	중 량 Weight
	KG

**D-I INDUSTRIAL**

크 기 SIZE A 0 코드 번호 CODE ID. NO.