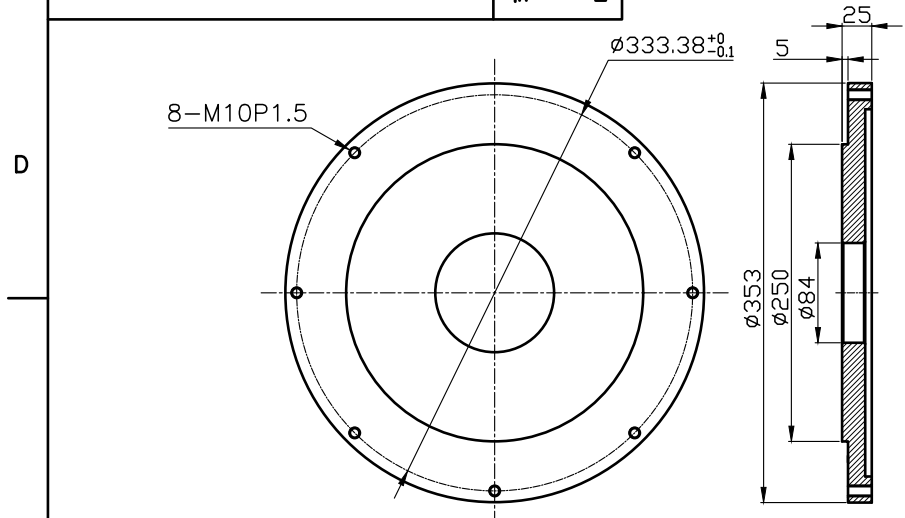
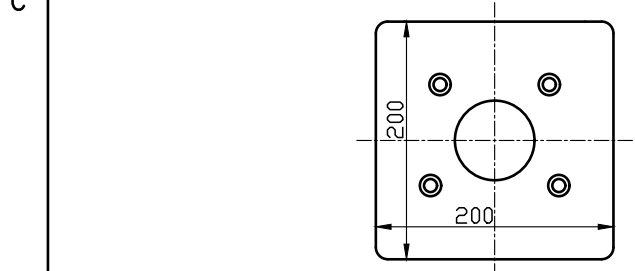


개정번호 REV.No	부 호 SYM.	내 용 DESCRIPTION	위 치 POSITION	제용서번호 ADOPTION SHEET NO.	입 자 DATE	수 정 REV'D	승 인 APP'D

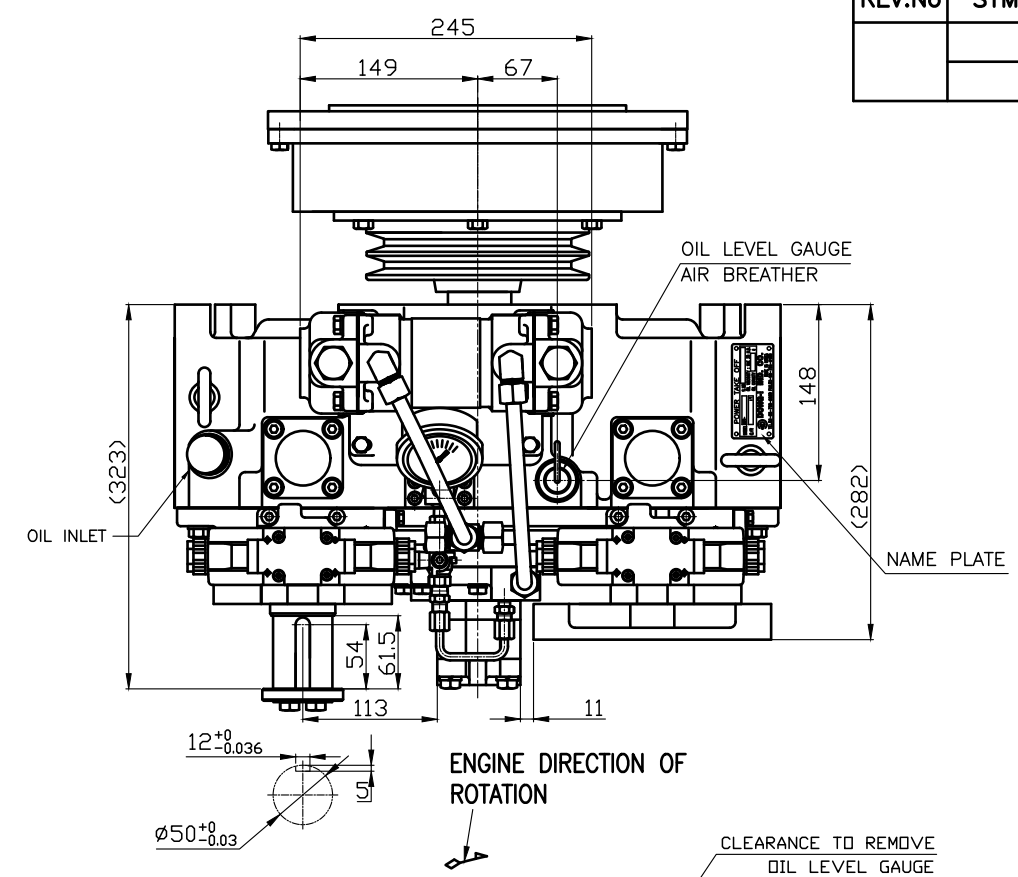
DPO-087 POWER TAKE OFF	
GEAR RATIO	1:1 / 0.85:1
TOTAL WEIGHT	APPROX. 150kg(DRY)
OIL CAPACITY	APPROX. 3 L
OIL VISCOSITY	SAE # 30
OIL PRESSURE	20 ~ 26kg/cm ² CLUTCH OIL
OIL CHANGE INTERVAL	THE FIRST 100HOURS OF INITIAL OPERATION AND EVERY 1000HOURS THEREAFTER
OIL COOLER	WATER FLOW 20 ~ 40 L/m
	TEMPERATURE OF COOLING WATER MAX 32°C
OPERATING TORQUE OF SHIFTING LEVER	UNDER 30kg·cm



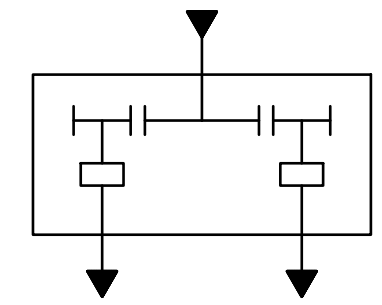
STANDARD : DUMMY PLATE
[MANUFACTURE THIS PLATE FOR ENGINE PULLEY]



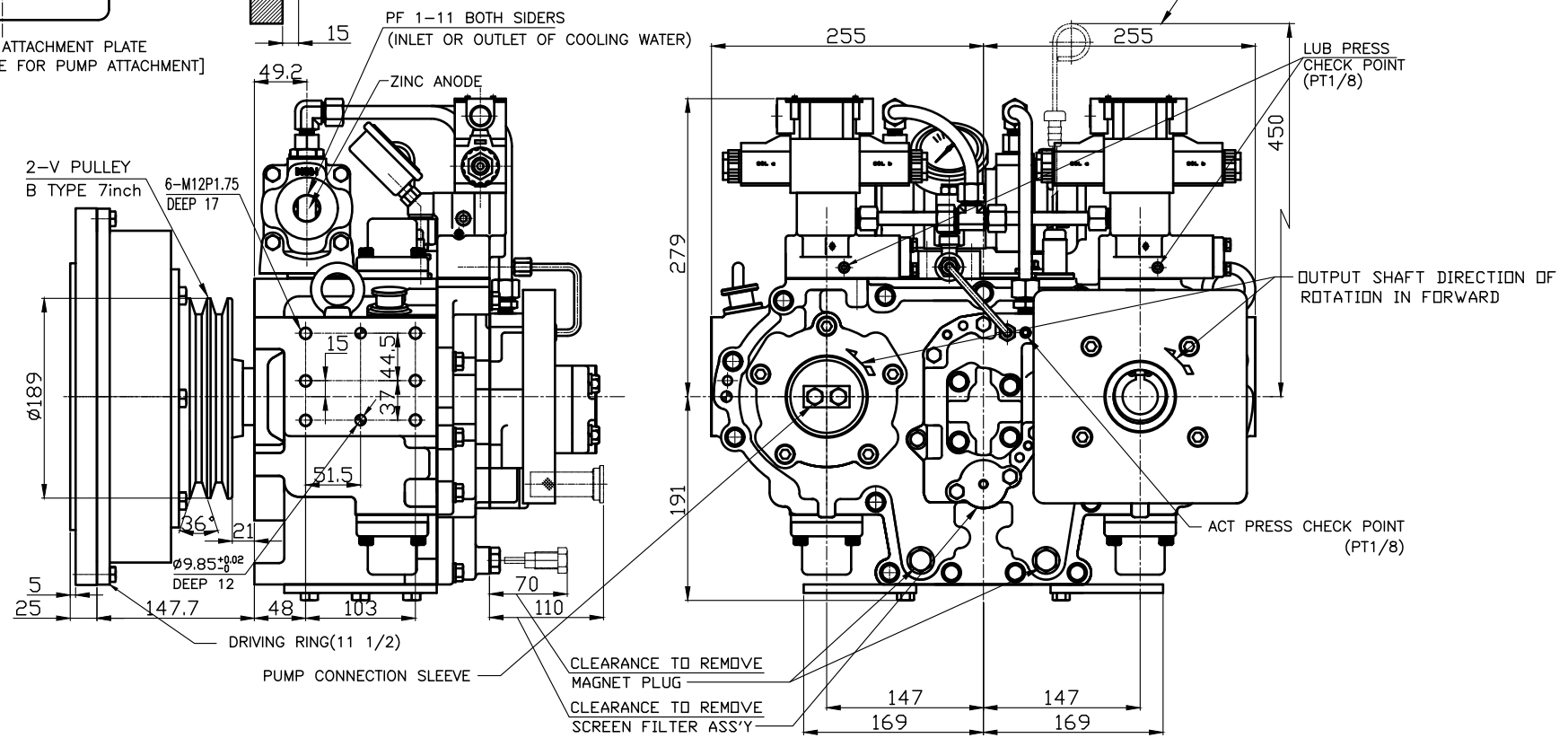
STANDARD : PUMP ATTACHMENT PLATE
[MANUFACTURE THIS PLATE FOR PUMP ATTACHMENT]



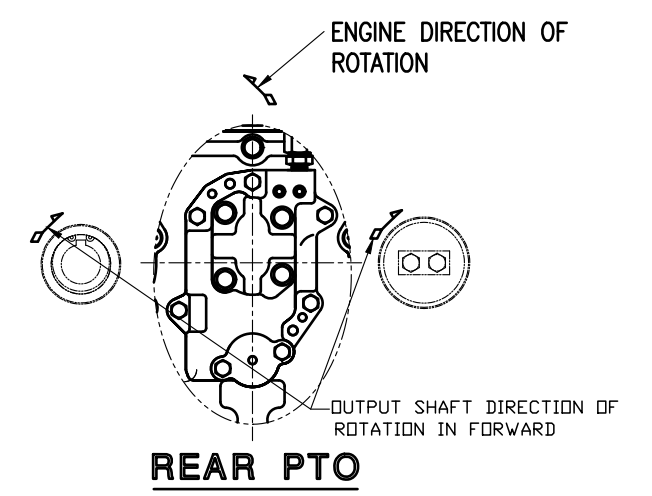
ENGINE DIRECTION OF ROTATION



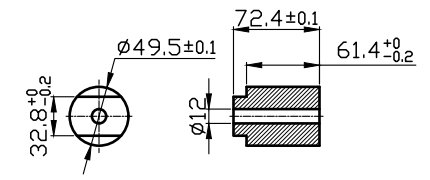
Scheme of Power train



FRONT PTO



REAR PTO



CLEARANCE TO REMOVE MAGNET PLUG
CLEARANCE TO REMOVE SCREEN FILTER ASS'Y

REMARK
1. STANDARD : DUMMY PLATE

제 품 HS Code	소 재 HS Code	중 량 Weight	KG
규 격 SIZE			

공 용 공 차 TOLERANCE ON	번 호 NO.	부 호 PART NO.	부 명 PART NAME	개 수 QTY	재 질 MATERIAL	규 격 SIZE	비 고 REMARKS
분 수 FRACTIONS	±	소 수 DECIMALS	±	각 도 ANGLES	±		
1 초과 4 이하	±0.3	±0.1	±0.05				
4	±0.5	±0.2	±0.07				
16	±0.7	±0.3	±0.1				
63	±1.2	±0.5	±0.2				
250	±2.0	±0.8	±0.3				

DATE 2015.01.12	SCALE 1/1	TYPE DPO-087	REMARKS ORIGINAL DWG. NO.
APPROVED BY	CHECKED BY	NAME POWER TAKE OFF	
		DWG. NO. T 0 8 7 F (R) B G E S	
D-I INDUSTRIAL		SIZE A0	CODE ID. NO.