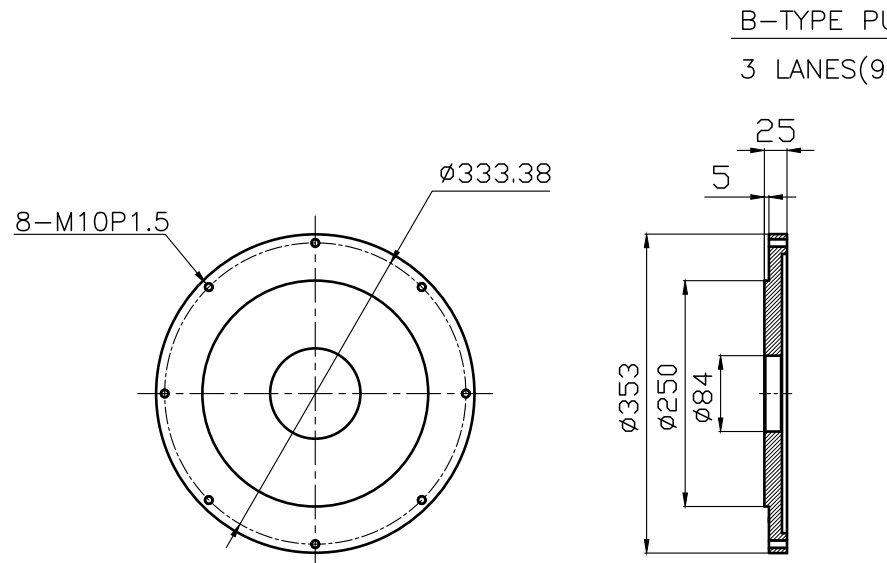
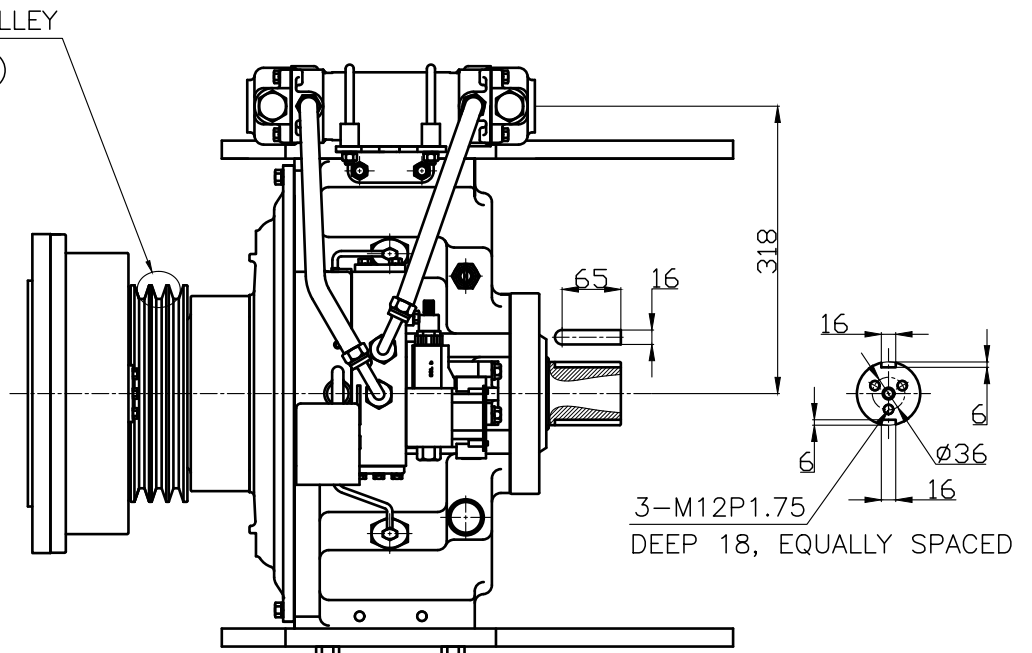


번호 SYM.	내 DESCRIPTION	위치 POSITION	개정번호 REVISION NO.	일 DATE	수 REV'D	승 인 APP'D



STANDARD : DUMMY PLATE
[MANUFACTURE THIS PLATE FOR ENGINE PULLEY]

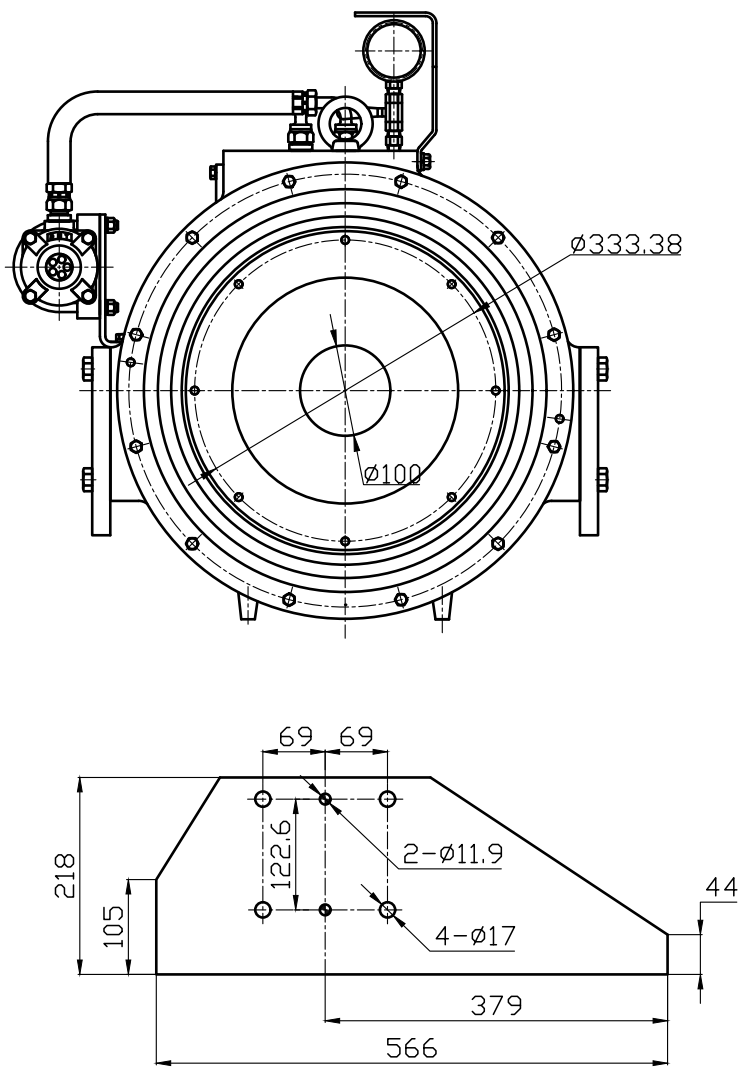


DPO 310 HYDRAULIC POWER TAKE OFF SPECIFICATION

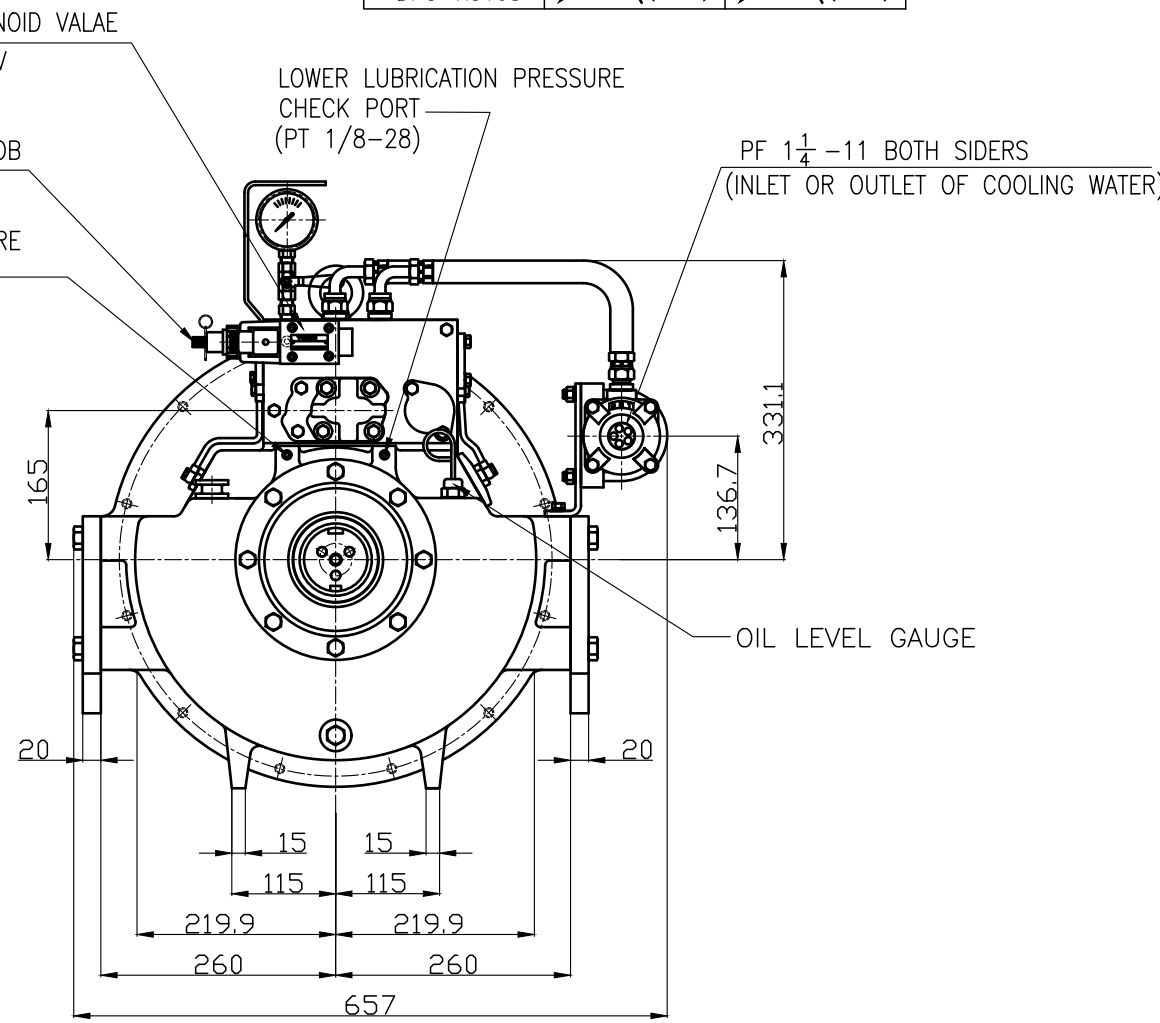
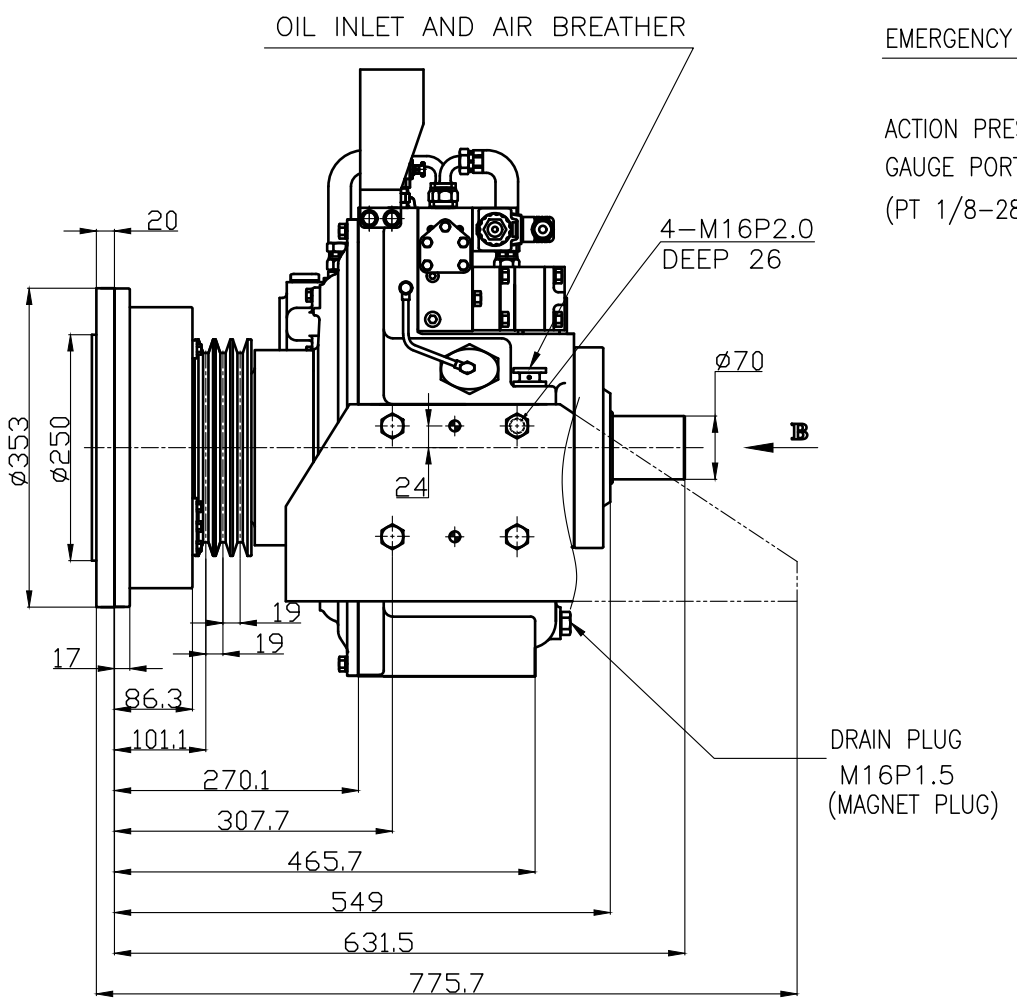
GEAR RATIO	ONLY 1 : 1	
TOTAL WEIGHT	APPROX. 250 kg(DRY)	
OIL CAPACITY	APPROX. 5 L	
OIL VISCOSITY	SAE # 30	
OIL PRESSURE	1.56 ~ 2.45 MPa	CLUTCH OIL
DIRECTION OF ROTATION	INPUT	THE SAME DIRECTION AS ENGINE ROTATION
	OUTPUT	THE SAME DIRECTION AS ENGINE ROTATION
OIL CHANGE INTERVAL	THE FIRST 100HOURS OF INITIAL OPERATION AND EVERY 1000HOURS THEREAFTER	
SHIFTING LIMIT	UNDER 50% OF THE RATED ENGINE SPEED	
OIL COOLER	WATER FLOW 40 ~ 60L/min	TEMPERATURE OF COOLING WATER MAX 32°C

ROTATION DIRECTION BY MODEL (VIEWED FROM B)

MODEL	INPUT (ENGINE)	OUTPUT (PTO)
DPO-F310S	(RIGHT)	(RIGHT)
DPO-R310S	(LEFT)	(LEFT)



BRACKET DIMENSION



- REMARK
- 1.STANDARD SPECIFICATION
 2. DRIVING RING: DUMMY PLATE INCLUDING SAE 11.5"
 3. OUTPUT SHAFT SPEC: SHAFT $\phi 70$ _ KEY 16mm*73mm

공통공차 TOLERANCE ON	분수 FRACTIONS	소수 DECIMALS	각도 ANGLES	번호 NO.	부품 PART NO.	부품명 PART NAME	수량 QTY	재질 MATERIAL	규격 SIZE	비고 REMARKS
±0.3	±0.1	±0.05	±0.5							
±0.5	±0.2	±0.07	±0.5							
±0.7	±0.3	±0.1	±0.5							
±1.2	±0.5	±0.2	±0.5							
±2.0	±0.8	±0.3	±0.5							

DATE	2013.02.05	SCALE	1/1
APPROVED BY	CHECKED BY	DRAWN	DESIGNED

TYPE	DPO-F(R)310S	ORIGINAL DWG. NO.	
NAME	PTO INSTALLATION DRAWING		
DWG. NO.	T 3 1 0 F(R)SSG		
SIZE	A0	코드번호 CODE ID. NO.	

D-I INDUSTRIAL